

ANTI THEFT  
Single - 123738  
Double w/Bar - 123738-1

# PARTS MANUAL

81

## SUPER-STACK BOTTLE & CAN MACHINES

CANS BOTTLES

214	118AB
332	183AB
276	156AB
322	182AB
420	231AB
476	266AD
544	304AR

Literature No. 384264B



# Vendo®

# Vendo®

INTRODUCTION-SPECIFICATIONS.....	1
PARTS ORDERING PROCEDURE.....	2
MATERIAL RETURN PROCEDURE.....	2,3
OUTER DOOR-118, 150, 182.....	4,5
OUTER DOOR-183,231, 266, 309.....	6,7
CONTROL PANEL.....	8,9
DOOR HARNESS.....	10,11
COINAGE PANEL.....	12,
DOOR LATCH.....	13
INNER DOOR-118, 183.....	14,15
INNER DOOR-156, 182, 231 266, 304.....	16,17
REFLECTOR ASSEMBLY-231.....	18
REFLECTOR ASSEMBLY-118, 156, 182.....	19
STACK ASSEMBLY-118, 183.....	20,21
STACK ASSEMBLY-156, 182, 231, 266, 304.....	22,23
VEND. MECH. HARNESS-SEQUENCER.....	24
LOCKOUT/SOLDOUT.....	25
SINGLE SWITCH MOTOR.....	26
VEND MOTOR.....	27
CABINET-118, 156, 182.....	28,29
CABINET-183, 231 266, 304.....	30,31
REFRIGERATION UNIT.....	32,33
FLAVOR STRIPS, PRICE LABELS.....	34



INTRODUCTION

The Super Stack Vender offers superior package versatility, labor saving features, plus a 100% lock out system which is effective from time of selection to delivery of product.

The vend mechanism includes a vend motor per column and also a lock out assembly per selection. Should a vend problem occur, this "lock out" will bypass that selection and indicate "Make Another Selection".

The double door design allows the inner door (with magnetized gaskets) to remain closed while servicing coinage, changing the display light or flavor strips, etc.

MODEL DESIGNATION

This manual applies to any vender with one of the following manufacturers numbers stamped on the identification plate.

01C1111AB 01C1825AB 01C2315AB
01C1831AB 01C3046AR 01C2664AD
01C1562AD

When requesting information about your vender, please make available ALL information stamped on the plate under manufacturers number AND serial number.

SPECIFICATIONS

NOTE: All Electrical Requirement 115 Volt AC - 60 Hertz

Table with 8 columns (Models, 156/276, 182/322, 231/420, 266/476, 304/544, 118/214, 183/332) and 10 rows (HEIGHT, WIDTH, DEPTH, SHIPPING WEIGHT, \*BOTTLES 6-1/2 OZ., RIMLESS OR ALUM. \*12 OZ. CANS, RIMMED STEEL \*12 OZ. CANS, REFRIGERATION H/P).

\*TOTAL CAPACITY



## PARTS ORDERING PROCEDURE

When ordering parts, include the following information:

1. Shipping address.
2. Address where the invoice should be sent.
3. The number of parts required.
4. Always refer to the pertinent parts and/or service manual for the correct part number and description of a specific part.
  - a. If you do not have the right parts manual at the time you order, contact The Vendo Company, 1967 North Gateway Blvd., Fresno, California 93727.

Don't hold the order pending receipt of the parts manual; use the most accurate description you can (and the model number and serial number of the machine); include the name of the assembly in which the part is used and, if practical, a sample part. Furnish any information which will enable our order department to pinpoint the exact part needed.
  - b. When "RIGHT" and "LEFT" are used in connection with the name of a part, it is taken to mean that the person is facing the machine.
5. Always include model number and the serial number of the machines for which the parts are needed on the order.
6. List any special shipping instructions.
  - a. Always note on the order if you require air or air special, truck, parcel post or rail. If a specific carrier is desired, note it on the order.
7. Sign the order and note the date entered on the order.
8. When a purchase order number is used, be sure that it is legible and visible.

Mail your order to:                   The Vendo Company  
  1967 North Gateway Blvd.  
  Fresno, California 93727

All orders are carefully packed and inspected prior to shipment. Damage incurred during shipment should be reported at once and a claim filed with the terminating carrier.

## MATERIAL RETURN PROCEDURE

All items returned must be accompanied by material return tags clearly stating the reason for return. (Tags are available on request.)

To replace an inoperative part within the terms of the warranty, please follow these instructions.

1. If a replacement part was taken from the available parts stock and installed on the machine, proceed as follows:
  - a. Complete a parts return tag. Be sure all of the requested information is written in.
  - b. Keep the white (top) copy.
  - c. Attach the tag to the inoperative parts and send it by the cheapest method of transportation to: The Vendo Company, Pinedale Plant, 7209 No. Ingram Ave., Pinedale, California 93650.
  - d. A like part will be shipped prepaid, at no charge if our inspection shows the inoperative part became defective in warranty.
  - e. If a part does not meet the terms of the warranty, it will be replaced with a new part and invoiced accordingly. The returned part will be scrapped to eliminate further handling charges.
2. If a spare part is not available to put on the machine, order the part required. Call 800-344-7216 (In California call 800-742-1815) for emergency requirements. The part will be shipped and invoiced to you. After the replacement is received, follow the procedure as outlined above under Number 1.



MATERIAL RETURN PROCEDURE CON'T

After exchange of the part on the machine, complete a material return tag. Check the box marked "Credit" and fill in the invoice number covering the part.

Attach the tag to the inoperative part and send it by the cheapest method transportation to: The Vendo Company, Pinedale Plant, 7209 No. Ingram Ave., Pinedale, California 93650.

If our inspection shows the inoperative part became defective in warranty, a credit will be issued to cancel the invoice on which the replacement part was shipped. This credit will include any prepaid transportation charges. To receive credit the inoperative part MUST be returned within 30 days from the date the replacement was shipped.

We do not issue cash credit for the return of any part or accessory.

REFRIGERATION & ICE MAKER RETURN PROCEDURE

Refrigeration Units and Ice Makers require a separate tag for each item returned. The procedure is the same as for parts except the original is attached to the unit and the customer keeps the copy for his records. All refrigeration systems are to be returned to: The Vendo Company, 202 Cardinal Drive, Corinth, Mississippi, 38834.

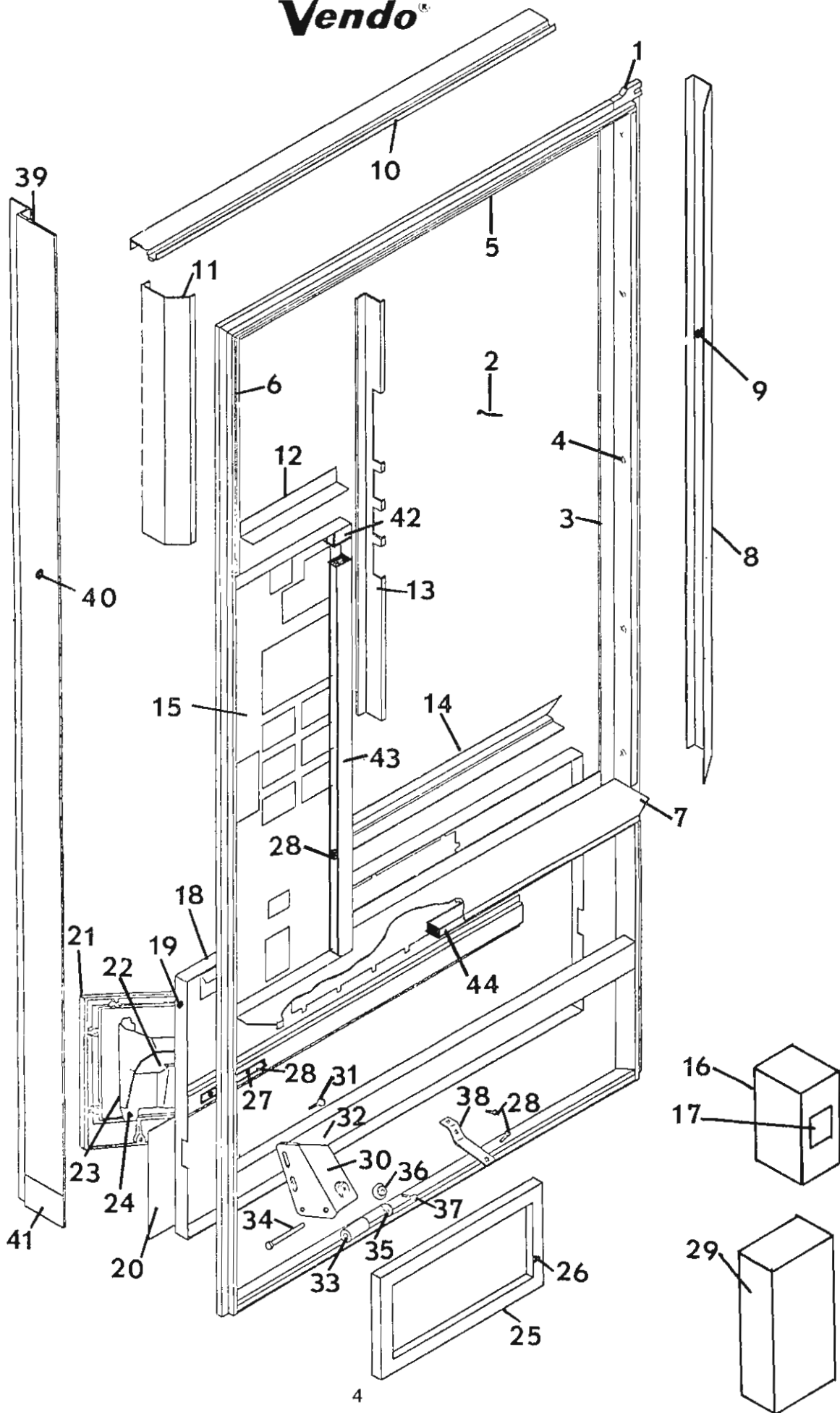
The return tag should be filled out in its entirety.

READING A PARTS LIST

- 1. Step 1 is the Vend Motor Assembly. Anything indented (A) under that part is a detail part of the assembly and will be included in that part number.
2. Step 2 is an assembly which is a part of the Vend Motor Assembly. Example: Motor Hub Assembly. Any part indented (B) under the Motor Hub Assembly is a detail part of that Motor Hub Assembly.
3. Step 3. This step shows that the parts which are not a part of the Motor Hub Assembly, return to the left in line with the Motor Hub Assembly, thus continuing the Vend Motor Assembly. All parts indented under the Vend Motor Assembly are part of the Vend Motor Assembly and all parts indented under the Motor Hub Assembly make up the Motor Hub Assembly.
4. Step 4 shows individual parts. This shows that any part that is not indented under an assembly is not part of an assembly on that page.

Table with 4 columns: ITEM NO., PART NO., NO. REQ., PART NAME AND DESCRIPTION. Includes a diagram on the left showing Step 1, Step 2, Step 3, and Step 4 with sub-steps 'A' and 'B' and arrows pointing to the corresponding rows in the table.

Vendo®



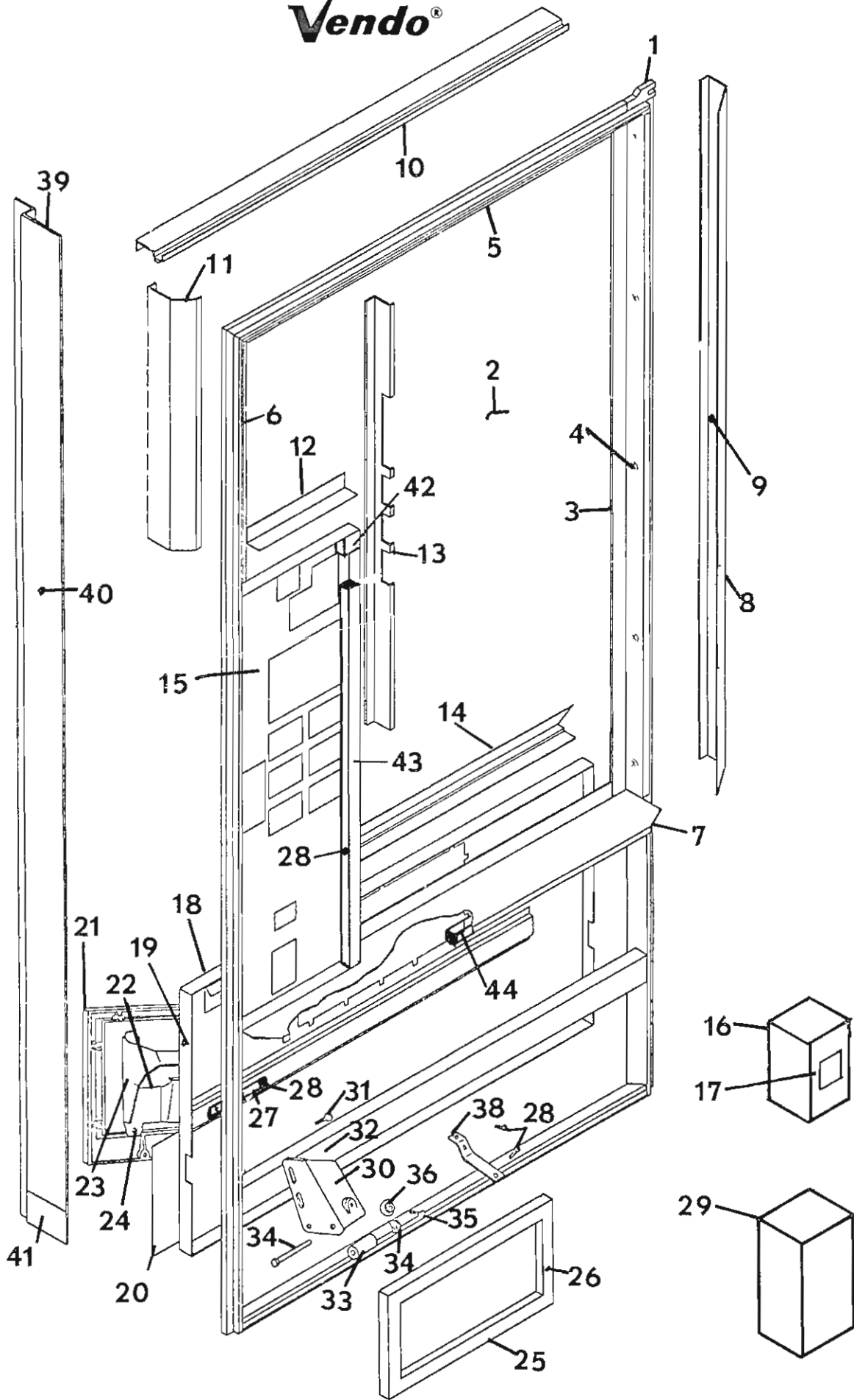


OUTER DOOR ASSEMBLY

24  
276-322

ITEM NO.	118 PART NO.	156/182 PART NO.	NO. REQ.	PART NAME AND DESCRIPTION
1	131430-3	131430-4	1	Door Frame Weld
2	383955-4	383955-5	1	Sign Face - Coke
3	383907-3	383907-2	1	Sign Frame - Left Side
4	V801422	V801422	A/R	Tapping Screw
5	384031	384031-1	1	Sign Frame - Top
6	-	-	-	Sign Frame - Right Side Top
7	383891	383891-1	1	Sign Frame - Bottom
8	383921-3	383921-2	1	Sign Retainer - Left Side
9	V800503	V800503	A/R	Tapping Screw
10	383909	383909-1	1	Sign Retainer - Top
11	-	-	-	Sign Retainer - Right Side Top
12	-	-	-	Sign Retainer - Control Panel
13	384030	384030-1	1	Sign Retainer - Right Side
14	383953	383953-1	1	Sign Retainer - Bottom
15	131488-7	131488-8	1	Control Panel Weld Assembly
16	131364	131364	1	Coin Box Weld
17	376433	376433	1	Label - Coinage
18	131457	131457-1	1	Door Panel Weld
19	V801422	V801422	A/R	Tapping Screw
20	384012	384012-1	1	Vinyl Door Panel
21	339383-1	358265	1	Trim - Delivery Eyelet
22	348213	337211	A/R	Bumper - Eyelet
23	114917	123738-1	1	Guard - Anti-Theft Assembly
24	V800787	V800787	A/R	Tapping Screw
25	365851-1	365850-1	1	Trim Retainer
26	V800791	V800791	A/R	Tapping Screw
27	320928	320928	1	Bracket - Crown Box
28	V801421	V801421	A/R	Tapping Screw
29	320943	320943	1	Crown Box
30	382958	382958	1	Roller Bracket - Door
31	V801312	V801312	A/R	Tapping Screw
32	V342624	V342624	A/R	Self Drill Screw
33	368656	368656	1	Roller
34	368657	368657	1	Pin
35	V801368	V801368	1	Retainer
36	369466	369466	2	Bumper - Door
37	V800498	V800498	A/R	Tapping Screw
38	379301	379301	1	Brace - Bottom Frame
39	383102-1	383102-4	1	Door Guard
40	383118	383118	A/R	Drive Rivet
41	383978-1	383978-1	1	Base Vinyl
42	383918	383918	1	Changer Receptacle Bracket
43	383919	383919	1	Harness Duct-Control Panel
44	383920	383920-1	1	Harness Duct

Vendo®





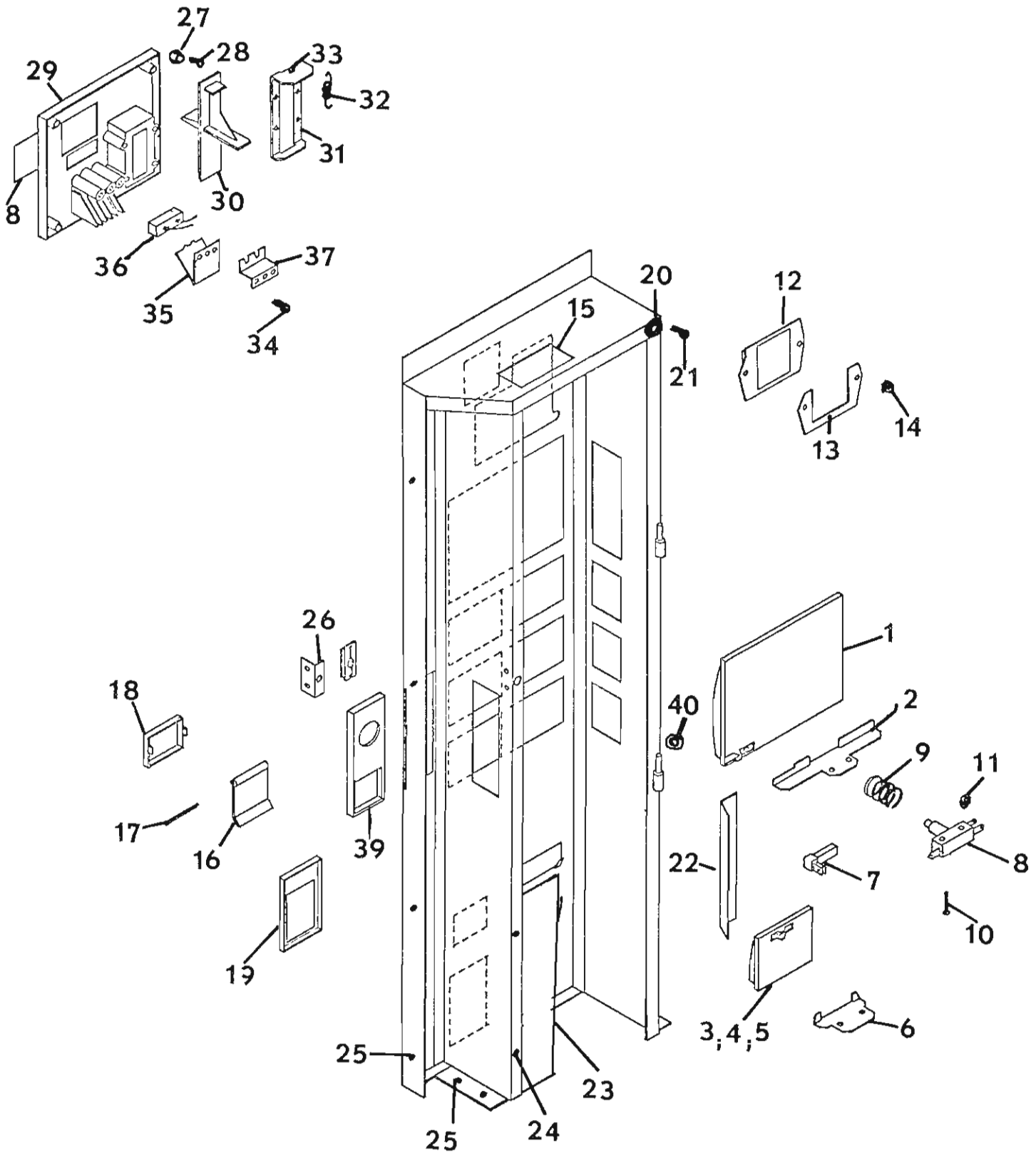


OUTER DOOR ASSEMBLY

332 420 476 544

ITEM NO.	183 PART NO.	231 PART NO.	266 PART NO.	304 PART NO.	NO. REQ.	PART NAME AND DESCRIPTION
1	131430	131430-5	131430-1	131430-2	1	Door Frame Weld
2	383955	383955-3	383955-1	383955-2	1	Sign Face - Coke
3	383907	383907-1	383907	383907	1	Sign Frame - Left Side
4	V801422	V801422	V801422	V801422	A/R	Tapping Screw
5	383906	383906-1	383906-1	383906-2	1	Sign Frame - Top
6	383903	383903	393903	383903	1	Sign Frame - Right Side Top
7	383891	383891-1	383891-1	383891-2	1	Sign Frame - Bottom
8	383921	383921-1	383921	383921	1	Sign Retainer - Left Side
9	V800503	V800503	V800503	V800503	A/R	Tapping Screw
10	383909	383909-1	383909-1	383909-2	1	Sign Retainer - Top
11	383908	383908	383908	383908	1	Sign Retainer - Right Side Top
12	383915	383915	383915	383915	1	Sign Retainer - Control Panel
13	383922	383922	383922	383922	1	Sign Retainer - Right Side
14	383953	383953-1	383953-1	383953-1	1	Sign Retainer - Bottom
15	131449	131449-1	131449-1	131449-2	1	Control Panel Weld Assembly
16	131364	131364	131364	131364	1	Coin Box Weld
17	376433	376433	376433	376433	1	Label Coinage
18	131457	131457-1	131457-1	131457-2	1	Door Panel Weld
19	V801422	V801422	V801422	V801422	A/R	Tapping Screw
20	384012	384012-1	384012-1	384012-2	1	Vinyl Door Panel
21	339383-1	358265	358265	339383-1	A/R	Trim - Delivery Eyelet
22	348213	337211	337211	348213	A/R	Bumper - Eyelet
23	<del>111917</del>	123738-1	123738-1	<del>111917</del>	A/R	Guard - Anti-Theft Assembly 123738
24	V800787	V800787	V800787	V800787	A/R	Tapping Screw
25	365851-1	365850-1	365850-1	365851-1	A/R	Trim Retainer
26	V800791	V800791	V800791	V800791	A/R	Tapping Screw
27	320928	320928	320928	320928	1	Bracket - Crown Box
28	V801421	V801421	V801421	V801421	A/R	Tapping Screw
29	320943	320943	320943	320943	1	Crown Box
30	382958	382958	382958	382958	1	Roller Bracket - Door
31	V801312	V801312	V801312	V801312	A/R	Tapping Screw
32	V342624	V342624	V342624	V342624	A/R	Self Drill Screw
33	368656	368656	368656	368656	1	Roller
34	368657	368657	368657	368657	1	Pin
35	V801368	V801368	V801368	V801368	A/R	Retainer
36	369466	369466	369466	369466	1	Bumper - Door
37	V800498	V800498	V800498	V800498	A/R	Tapping Screw
38	379301	379301	379301	379301	1	Brace - Bottom Frame
39	383102-10	383102-7	383102-10	383102-10	1	Door Guard
40	383118	383118	383118	383118	A/R	Drive Rivet
41	383978-1	383978-1	383978-1	383978-1	1	Base Vinyl
42	383918	383918	381918	383918	1	Changer Receptacle Bracket
43	383919	383919	383919	383919	1	Harness Duct-Control Panel
44	383920	383920-1	383920-1	383920-2	1	Harness Duct

123738 Single  
+ 200648

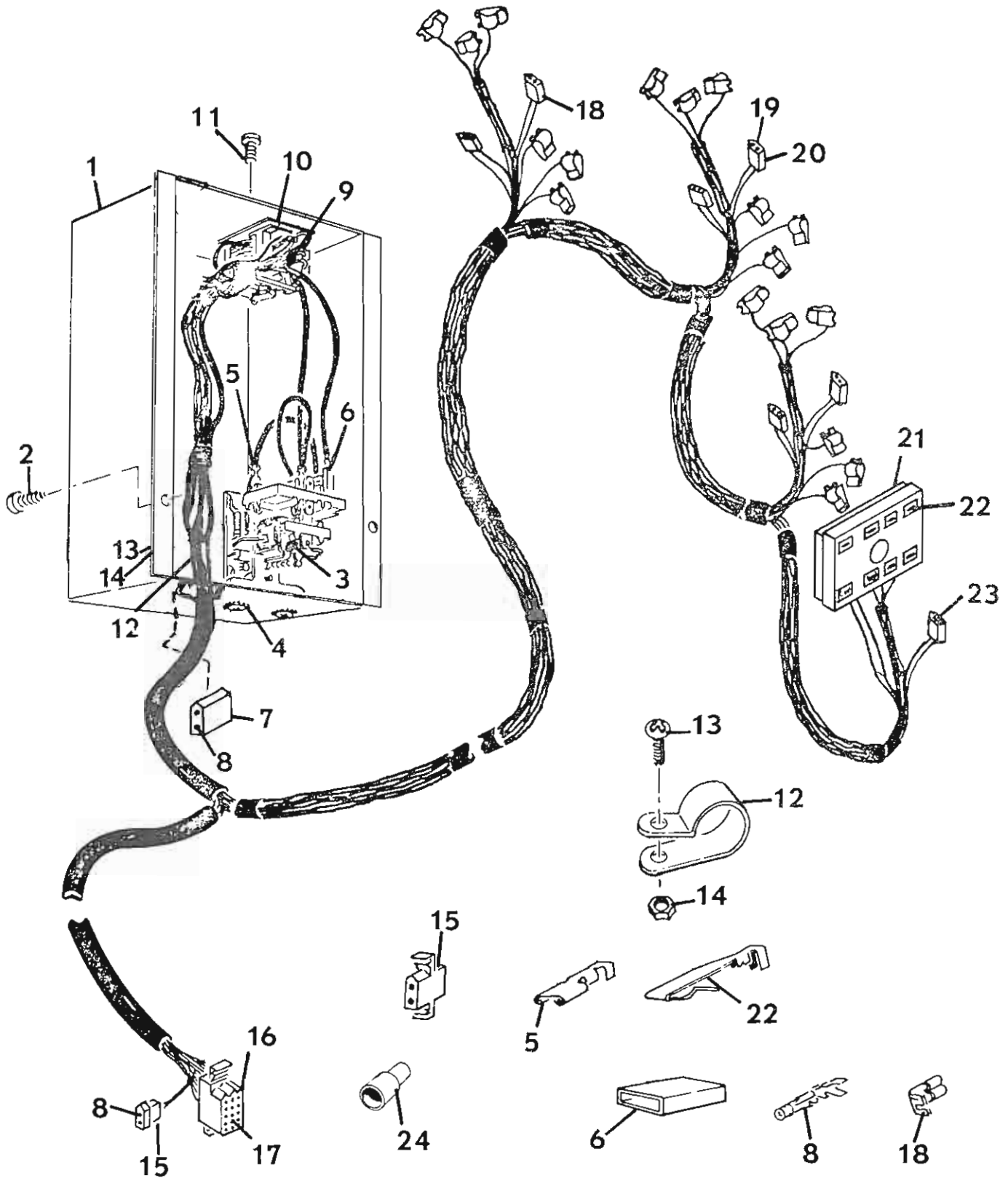




CONTROL PANEL

ITEM NO.	PART NO.	NO. REQ.	PART NAME AND DESCRIPTION
-	131449	1	183 - Control Panel Weld
-	131449-1	1	231-266 Control Panel Weld
-	131449-2	1	304 Control Panel Weld
-	<del>131449-7</del>	1	118 - Control Panel Weld
-	<del>131449-8</del>	1	156-182 Control Panel Weld
1	383403	1	Button (Large)
2	383818	1	Stop (Large)
3	370841-1	A/R	Button (Small No Label)
4	384228	A/R	Button "Tab"
5	384229	A/R	Button "Sprite"
6	383879	A/R	Stop (Small)
7	383991	A/R	Sold Out Lamp
8	323007	A/R	Switch (Sel.)
9	383109	A/R	Spring
10	V800337	A/R	Machine Screw
11	V800955	A/R	Hex Nut & Lock Washer
12	384034	1	Lens (Price Window)
13	384035	1	Bracket (Price Label)
14	V800952	2	Hex Nut & Lock Washer
15	384076	1	Window
16	320934-1	1	Door (Coin Return)
17	320935	1	Pin
18	320932	1	Trim - (Coin Return)
19	356467-2	1	Trim - (Crown-Tab)
20	369466-1	A/R	Bumper (Rubber)
21	V800791	A/R	Tapping Screw
22	383993	1	Reflector
23	384022	1	Baffle (Security)
24	V801421	A/R	Tapping Screw
25	V801422	A/R	Tapping Screw (Panel Mount)
26	131494	1	Latch Mount Assembly (Coinage Dr.)
-	383877	1	Bracket
-	383943-3	1	Receptacle
-	V341205	1	Rivet
27	337241-1	4	Cup Washer
28	V800787	4	Tapping Screw
-	131452	1	Coin Insert Assembly
29	379595-4	1	Casting
30	383957	1	Handle
31	383912	1	Bracket (Handle)
32	383994	1	Spring
33	37960	1	Bumper
34	V800787	7	Tapping Screw
35	384002	1	Coin Guide
36	124435	1	Lamp (Correct Change)
37	384003	1	Clamp (Lamp)
38	384014	1	Instruction Plate (Label)
39	369526	1	Trim - Latch
40	384279	1	Stop - Coinage Door

## DOOR HARNESS ASSEMBLY

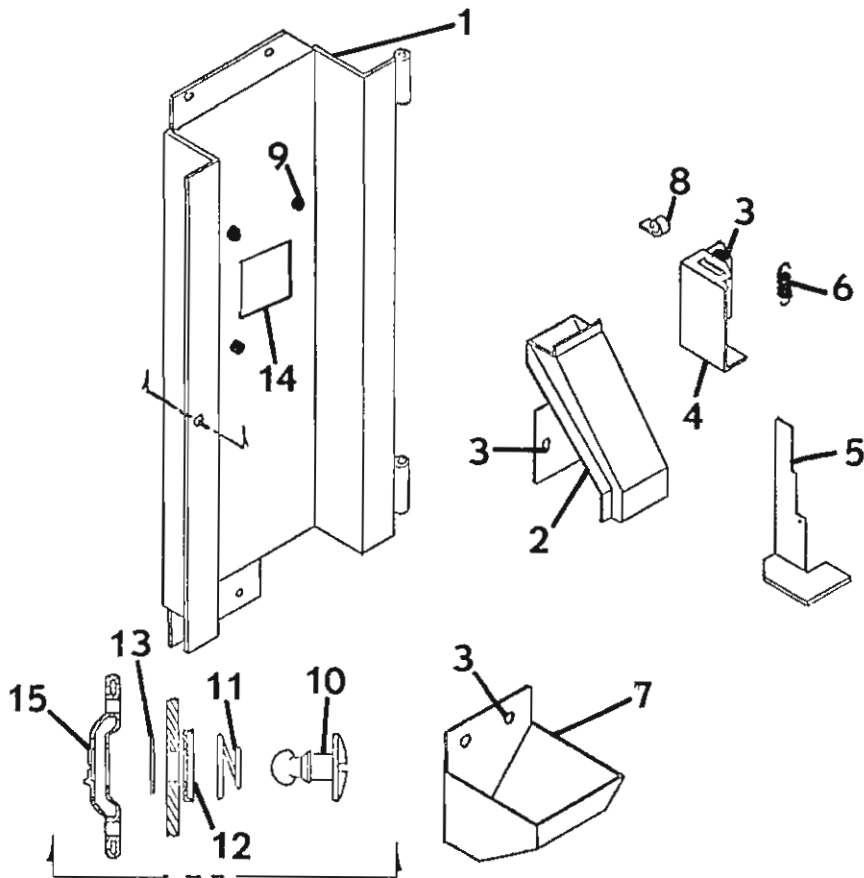




DOOR HARNESS ASSEMBLY

ITEM NO.	111/183 PART NO.	156 PART NO.	266 182/231 PART NO.	304 PART NO.	NO. REQ.	PART NAME AND DESCRIPTION
-	*131466	-	-	-	1	*Door Harness Ass'y (5 Sel.)
-	-	*131467	-	-	1	*Door Harness Ass'y (6 Sel.)
-	-	-	*131467	-	1	*Door Harness Ass'y (6 Sel.-Seq.)
-	-	-	-	*131429	1	*Door Harness Ass'y (7 Sel.-Seq.)
1	383914	383914	383914	383914	1	Control Box
2	V800622	V800622	V800622	V800622	2	Tapping Screw
3	371052	371052	371052	371052	1	Timer Module
4	V800639	-	-	V800639	2	Tapping Screw
4	-	V800331	V800331	-	2	Machine Screw & Lock Washer
5	336138	336138	336138	336138	A/R	Terminal
6	489202	489202	489202	489202	A/R	Cover Terminal
7	345008	345008	345008	345008	1	Receptacle - 2 Terminal
8	320196	320196	320196	320196	2	Terminal - Male
9	342238	342238	342238	342238	1	Relay
10	344931	344931	344931	344931	1	Insulation - Relay
11	V800331	V800331	V800331	V800331	1	Machine Screw
12	324099-4	324099-4	324099-4	324099-4	1	Clamp
13	V800083	V800083	V800083	V800083	1	Machine Screw
14	V800956	V800956	V800956	V800956	1	Hex Nut & Lock Washer
15	345005-1	345005-1	345005-1	345005-1	1	Plug - 2 Terminal
16	345740	-	-	-	1	Receptacle - 12 Terminal
16	-	345007	345007	345007	1	Receptacle - 15 Terminal
17	320195	320195	320195	320195	A/R	Terminal - Female
18	383979	383979	383979	383979	A/R	Terminal - Flag
19	489202	489202	489202	489202	A/R	Cover - Terminal
20	336138	336138	336138	336138	A/R	Terminal
21	327254	327254	327254	327254	1	Receptacle - 8 Terminal
22	327060	327060	327060	327060	6	Terminal
23	345008-1	345008-1	345008-1	345008-1	1	Receptacle - 2 Terminal
24	43842	43842	43842	43842	3	Connector - Closed End
-	-	-	131367	131367	A/R	Sequencer Ass'y (Not Shown)
*	131528	131529	131529	131530	1	Door Harness Ass'y-Single Sw.Mtr.

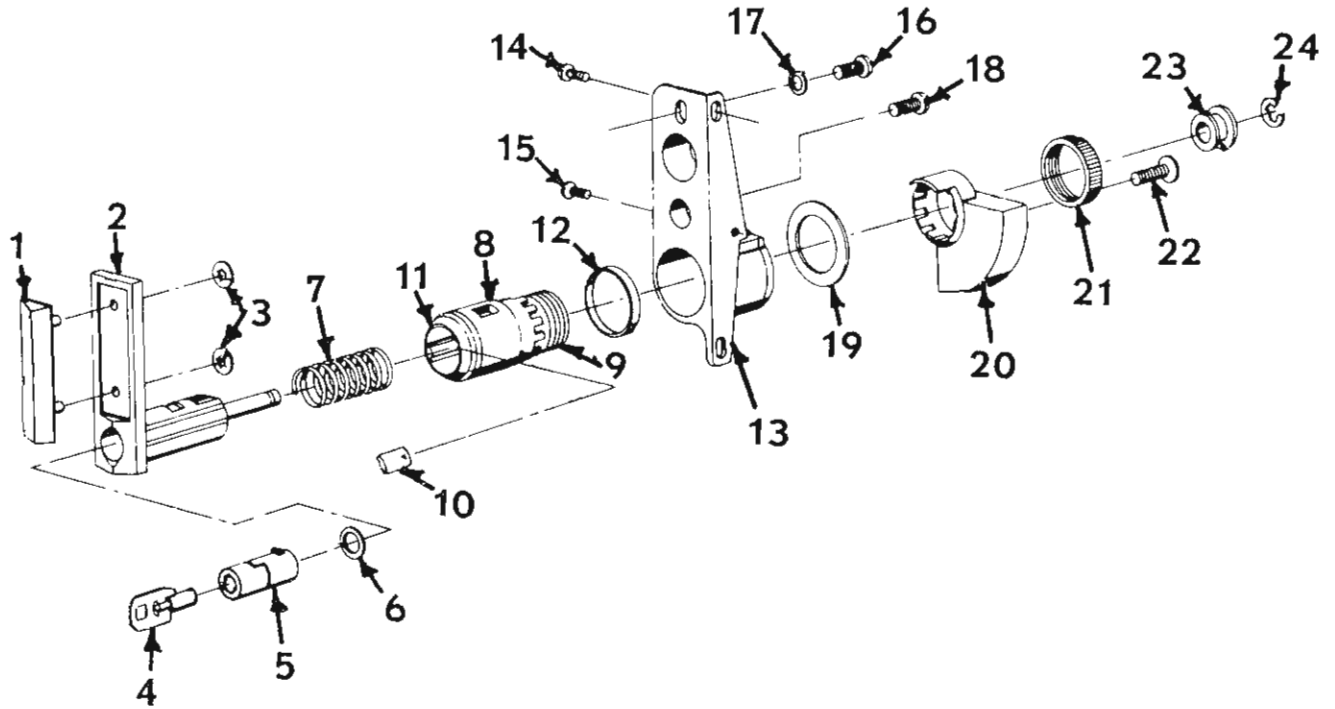
## COINAGE PANEL ASSEMBLY



ITEM NO.	PART NO.	NO. REQ.	PART NAME AND DESCRIPTION
-	131451	1	Coinage Panel Assembly
1	131366	1	Coinage Door Weld
2	131459	1	Coin Chute
3	V800787	8	Tapping Screw
4	383911	1	Bracket - Scavenger
5	383913	1	Actuator - Scavenger
6	383994	1	Spring - Scavenger
7	383902	1	Chute - Coin Return
8	324099-6	1	Clamp
9	V800766	3	Screw
10	383943	1	Stud (Lock)
11	383943-1	1	Spring (Lock)
12	383943-2	1	Washer (Nylon)
13	383943-3	1	Retainer
14	384221	1	Decal (Changer Harness)
	131494	1	Latch Mount Assembly (See Control Panel)

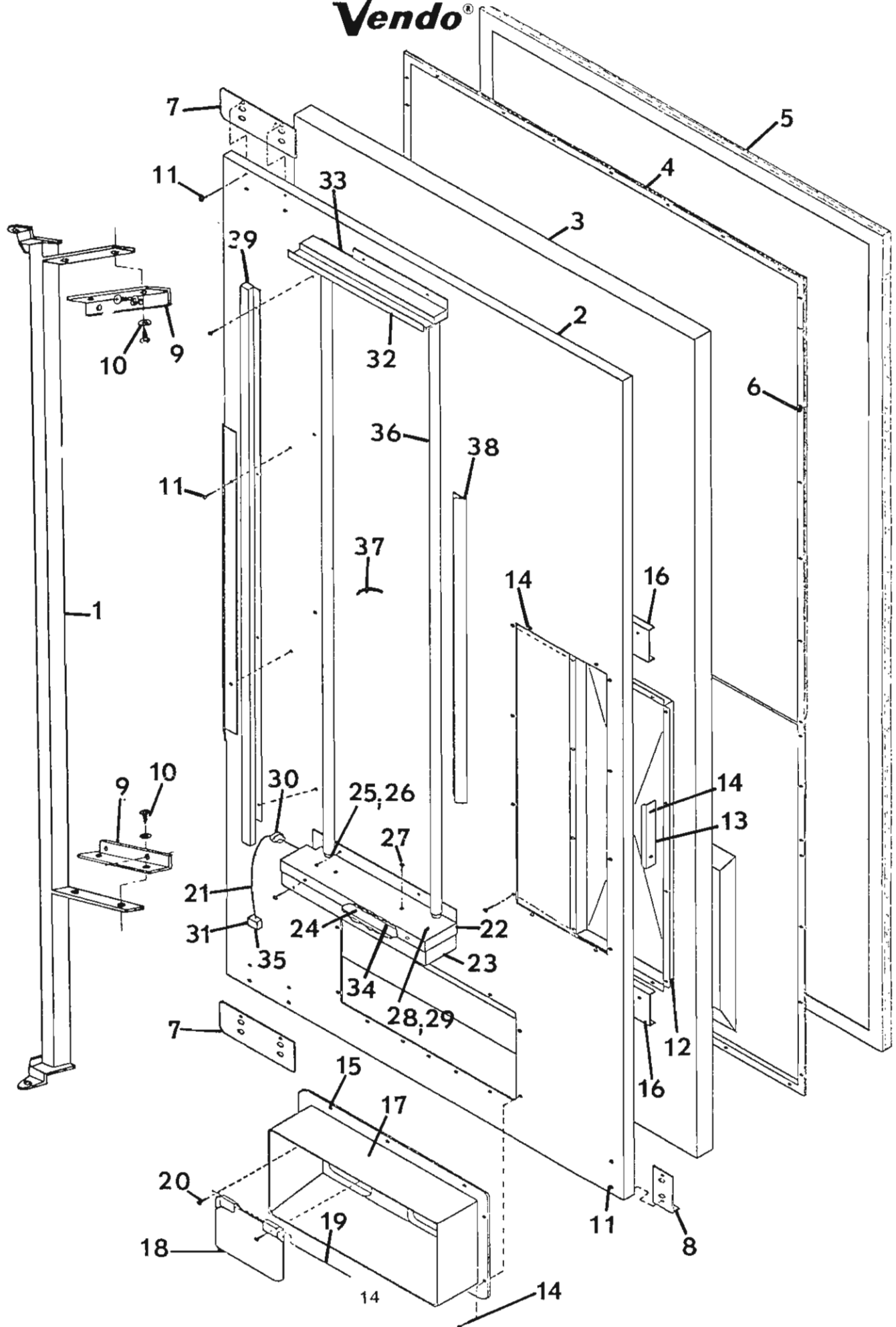


DOOR LATCH ASSEMBLY (110 DEGREE CAM)



ITEM NO.	PART NO.	NO. REQ.	PART NAME AND DESCRIPTION
-	127161-1	1	Door Latch Assembly (110° Cam)
1	365665-1	1	Trim - Lock Handle
2	375351	1	Handle - Latch
3	V801339	2	Push On Nut
-	123298-0001	1	Lock - Flex Ace Assembly
4	346118-0001	1	Key (Specify Key Number)
5	368688-0001	1	Lock - Flex Ace (Specify Key Number)
6	375352	1	Spacer Lock
7	365664	1	Spring
8	127162	1	Operating Tube Assembly
9	374806	1	Operating Tube
10	374805	2	Spacer - Drive
11	366499	1	Washer
12	369076	1	Bearing - Cam
13	365668	1	Housing - Latch
14	V801313	2	Tapping Screw
15	V342624-3	1	Self Drill Screw
16	V800821	1	Tapping Screw
17	V801011	1	Flat Washer
18	V800831	1	Tapping Screw
19	366501-1	1	Washer
20	383219	1	Cam
21	365777	1	Nut Lock
22	V800824	1	Tapping Screw
23	375353	1	Bushing - Nylon
24	V801080	1	Retainer Ring
-	369526	1	Trim - Latch (See Control Panel)

Vendo®



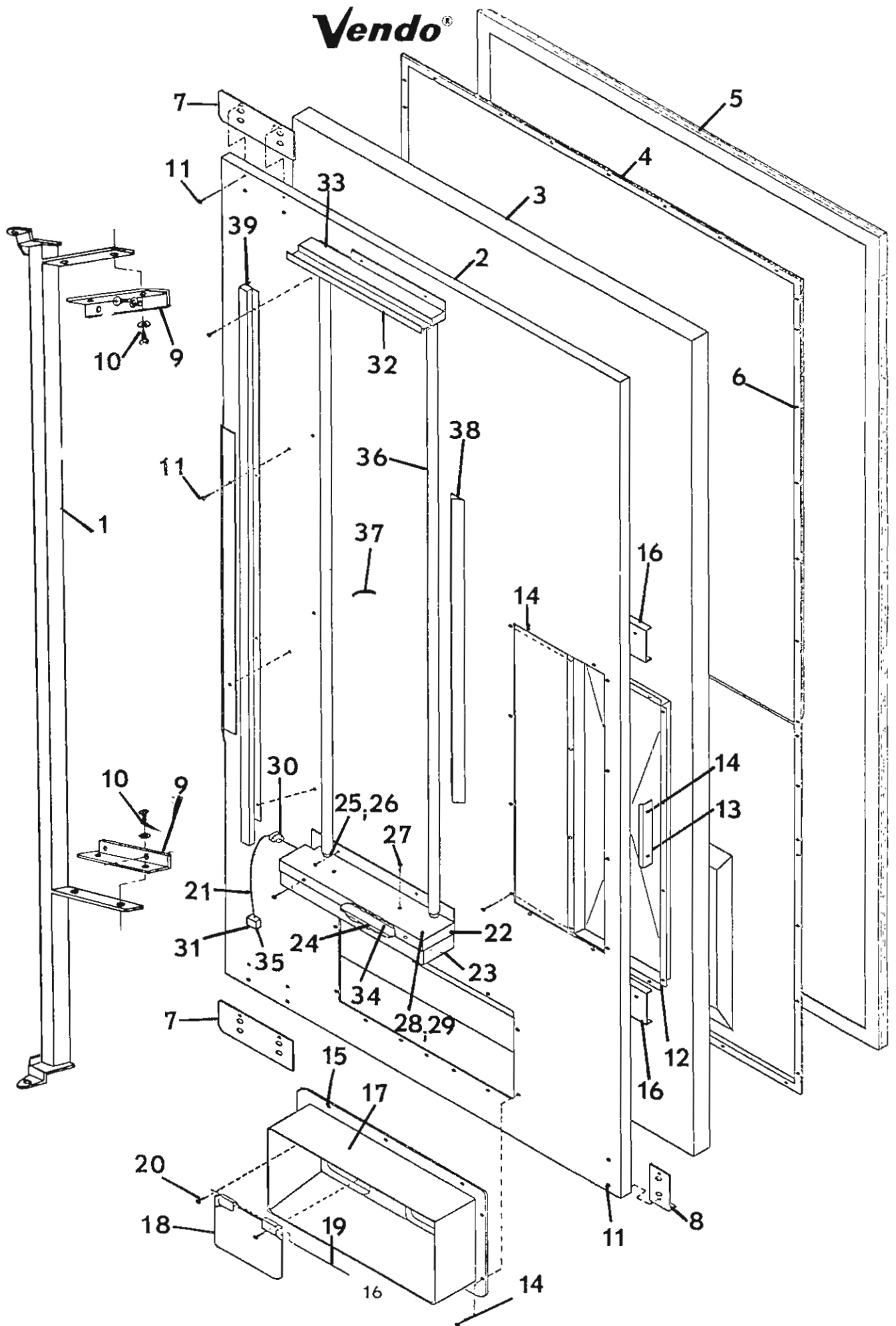




### INNER DOOR ASSEMBLY

ITEM NO.	118 PART NO.	183 PART NO.	NO. REQ	PART NAME AND DESCRIPTION
-	131511	131441	1	Inner Door Assembly
1	122491-3	122491	1	Torque Tube - Weld Assembly
2	384038	383935	1	Inner Door Panel
3	383434	383434-1	1	Insulation - Inner Door
4	383356	383202	1	Liner Door
5	383043	383203	1	Magnetic Gasket
6	329409	329409	A/R	Clip
7	371941	371941	2	Door Support Corner
8	371942	371942	1	Door Support - Bottom
9	366545	366545	2	Mounting Angle
10	382740	382740	8	Screw & Lock Washer Unit
11	V800622	V800622	A/R	Tapping Screw
12	383897	383897	1	Pan-Inner Door
13	383896	383896	1	Handle-Inner Door
14	V800548	V800548	30	Tapping Screw
15	V800572	V800572	6	Tapping Screw
16	383937	383937	2	Stiffener - Inner Door
-	122506-4	122506-4	1	Delivery Eyelet Assembly
17	365824-1	365824-1	1	Eyelet - Delivery
18	383311	383311	1	Door - Delivery
19	46122	46122	1	Hinge - Pin
20	V800570	V800570	2	Tapping Screw
-	112930	-	1	Reflector Assembly - See Page 19
21	-	131444	1	Reflector Harness Assembly
22	-	383975	1	Bracket Lamp - Lower
23	-	383973	1	Cover - Ballast
24	-	383982	1	Ballast - 2 Lamp
25	-	342622	4	Lamp Holder
26	-	V800024	8	Machine Screw
27	-	V801421	4	Tapping Screw
28	-	V800128	2	Machine Screw
29	-	V800952	2	Hex Nut & Lock Washer
30	-	327699-2	1	Bushing - Strain Relief
31	-	345005-1	1	Plug - 2 Terminal
32	-	383974	1	Bracket - Lamp Upper
33	-	383971	1	Duct - Wire
34	-	41707	10	Connector (Small)
35	-	320196	2	Terminal - Male
36	-	383980	2	Lamp - Fluorescent
37	383992-4	383992-4	1	Lamp Shield (Not Shown)
38	384163-3	384163-3	2	Retainer - Light Shield
39	-	383972	1	Duct - Wire
-	324099-2	324099-2	1	Clamp (Not Shown)

Vendo®



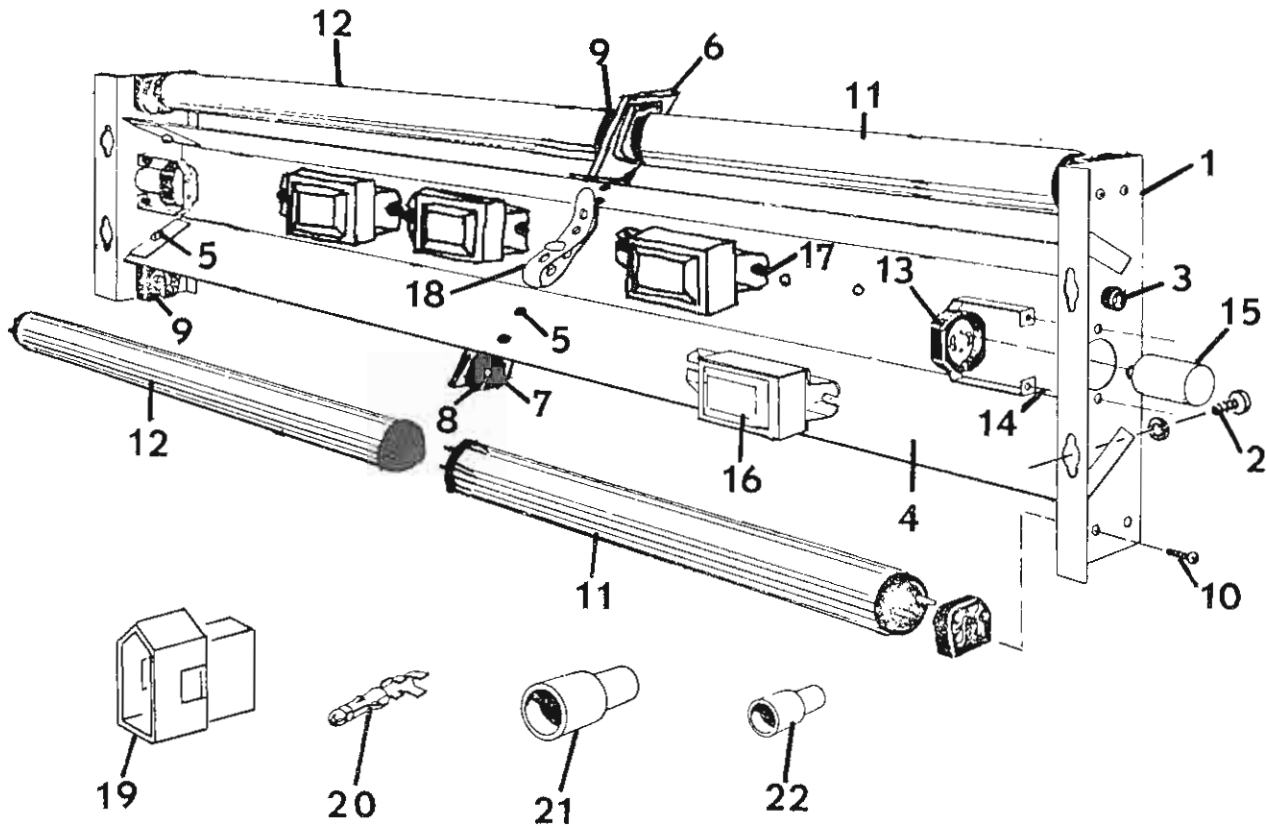


INNER DOOR ASSEMBLY

ITEM NO.	156/182 PART NO.	231 PART NO.	266 PART NO.	304 PART NO.	NO. REQ	PART NAME AND DESCRIPTION
-	131512	131512	131442	131443	1	Inner Door Assembly
1	122491-4	122491-5	122491	122491	1	Torque Tube - Weld Assembly
2	384082	384081	383934	383936	1	Inner Door Panel
3	383434-2	383434-3	383434-4	383434-5	1	Insulation - Inner Door
4	374134	357012-3	368075-1	344977-3	1	Liner Door
5	383044	383045	383046	383047	1	Magnetic Gasket
6	329409	329409	329409	329409	A/R	Clip
7	371941	371941	371941	371941	2	Door Corner Support
8	371942	371942	371942	371942	1	Door Support - Bottom
9	366545	366545	366545	366545	2	Mounting Angle
10	382740	382740	382740	382740	8	Screw & Lock Washer Unit
11	V800622	V800622	V800622	V800622	A/R	Tapping Screw
12	383897	383897	383897	383897	1	Fan-Inner Door
13	383896	383896	383896	383896	1	Handle-Inner Door
14	V800548	V800548	V800548	V800548	A/R	Tapping Screw
15	V800572	V800572	V800572	V800572	12	Tapping Screw
16	383937-1	383937-1	383937-1	383937-2	2	Stiffener - Inner Door
-	122509-3	122509-3	122509-3	122506-4	A/R	Delivery Eyelet Assembly
17	365825-1	365825-1	365825-1	365824	A/R	Eyelet - Delivery
18	383311	383311	383311	383311	A/R	Door - Delivery
19	46122-1	46122-1	46122-2	46122	A/R	Pin - Hinge
20	V800570	V800570	V800570	V800570	A/R	Tapping Screw
-	115972-2	131521	-	-	1	Reflector Assembly - See Page 18,19
21	-	-	131444	131445	1	Reflector Harness Assembly
22	-	-	383975	384033	1	Bracket Lamp - Lower
23	-	-	383973	384004	1	Cover - Ballast
-	-	-	-	383981	1	Ballast - 1 Lamp
24	-	-	383982	383982	1	Ballast - 2 Lamp
25	-	-	342622	342622	A/R	Lamp Holder
26	-	-	V800024	V800024	A/R	Machine Screw
27	-	-	V801421	V801421	A/R	Tapping Screw
28	-	-	V800128	V800128	A/R	Machine Screw
29	-	-	V800952	V800952	A/R	Hex Nut & Lock Washer
30	-	-	327699	327699-2	1	Bushing - Strain Relief
31	-	-	345005-1	345005-1	1	Plug - 2 Terminal
32	-	-	383974	384032	1	Bracket - Lamp
33	-	-	383971	384001	1	Duct - Wire, Upper
34	-	-	41707	41707	A/R	Connector (Small)
-	-	-	-	43842	2	Connector (Large)
35	-	-	320196	320196	2	Terminal - Male
36	-	-	383980	383980	A/R	Lamp - Flourescent
-	-	-	-	384166	2	Flourescent Lamp Guard
37	383992-4	383992-4	383992	383382	1	Light Shield (Not Shown)
38	384163-3	384163-3	384163-3	383927	2	Retainer - Light Shield
39	-	-	383972	383972	1	Duct - Wire
-	324099-2	324099-2	324099-2	324099-2	1	Clamp (Not Shown)

A/R: As Required

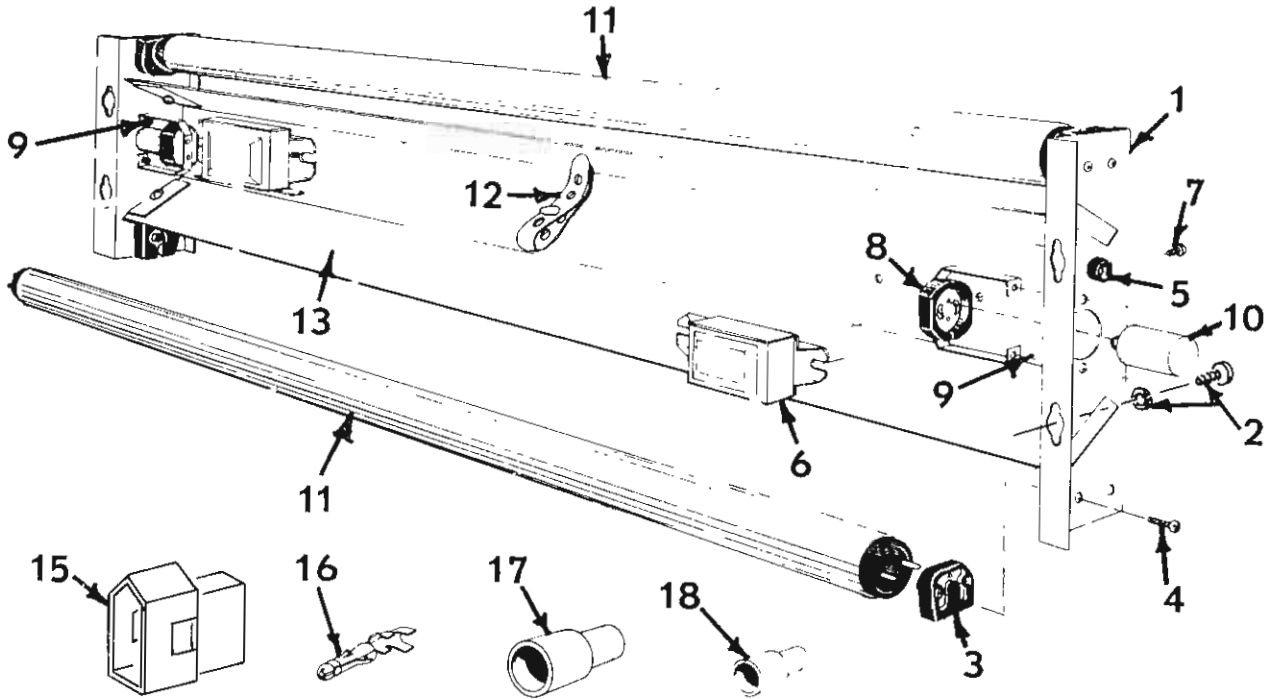
## REFLECTOR ASSEMBLY



ITEM NO.	231 PART NO.	NO. REQ.	PART NAME AND DESCRIPTION
-	131521	1	Reflector Assembly
1	341331	2	End Bracket - Reflector
2	V800622	4	Tapping Screw & Lock Washer
3	327699-2	1	Bushing - Strain Relief
4	384148	1	Reflector
5	V800496	8	Tapping Screw
6	384147	2	Center Bracket - Reflector
7	384146	2	Lamp Holder
8	V800029	4	Machine Screw
9	342622	6	Lamp Holder
10	V800024	8	Machine Screw
11	384162	2	Lamp - Fluorescent
12	332974	2	Lamp - Fluorescent
13	327675-2	4	Socket - Starter
14	V800060	8	Machine Screw
15	321350	4	Starter
16	321345-3	4	Ballast
17	V801329	8	Tapping Screw & Lock Washer
18	342621	3	Strap - Adjustable
19	345005-1	1	Plug - 2 Terminal
20	320196	2	Terminal - Male
21	43842	2	Connector - Closed End (Large)
22	41707	12	Connector - Closed End (Small)

# Vendo®

## REFLECTOR ASSEMBLY

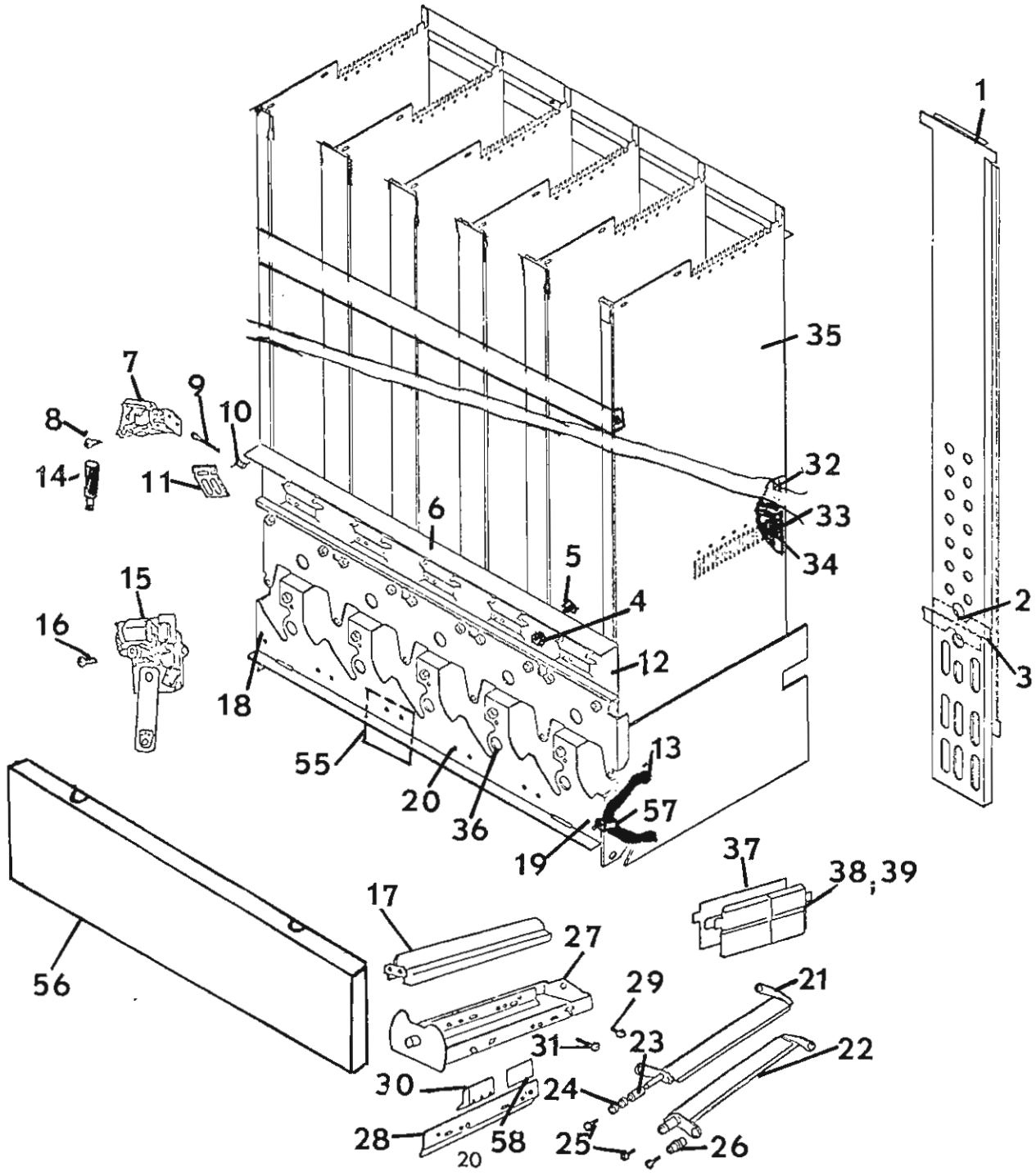
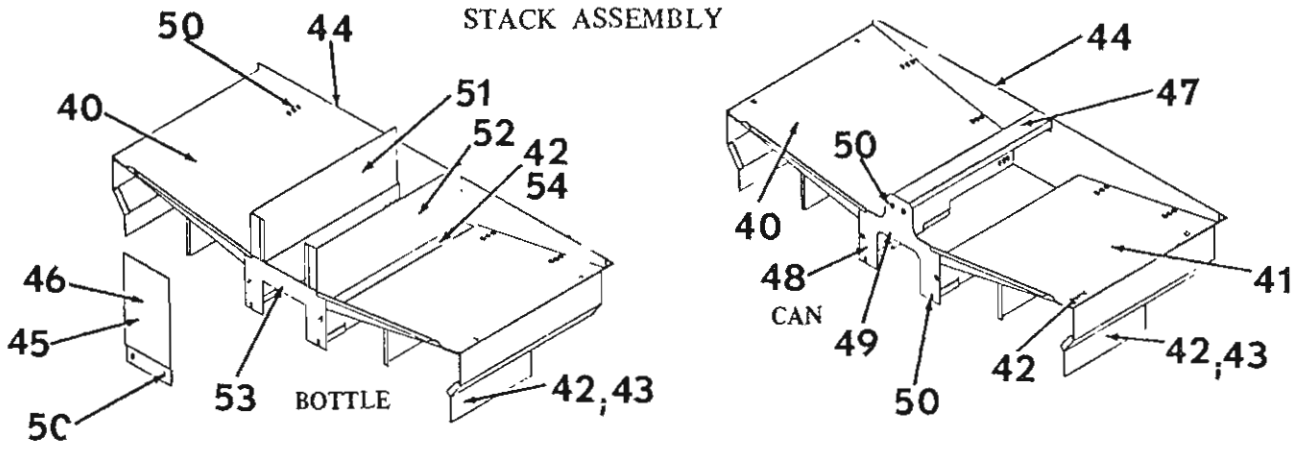


ITEM NO.	118 PART NO.	156/182 PART NO.	NO. REQ.	PART NAME AND DESCRIPTION
-	112930-8	115972-2	1	Reflector Assembly
1	341331	341331	2	End Bracket - Reflector
2	V800622	V800622	4	Tapping Screw & Lock Washer
3	342622	342622	A/R	Lamp Holder (2 Leads)
-	-	350632	2	Lamp Holder (3 Leads)
4	V800024	V800024	8	Machine Screw
5	327699-2	327699-2	1	Bushing - Strain Relief
6	321345-3	350266	2	Ballast
7	V801329	V800082	4	Screw
-	-	V800956	4	Hex Nut & Lock Washer
8	327675-1	See Note*	2	Socket - Starter
9	V800060	-	4	Machine Screw
10	321350	See Note*	2	Starter
11	332974	350267	2	Lamp - Fluorescent
12	342621	342621	1	Strap - Adjustable
13	341330	350106	1	Reflector
14	V800496	V800496	4	Tapping Screw
15	331335-5	345005-1	1	Plug - 2 Terminal
16	332746	320196	2	Terminal
17	43842	43842	2	Connector - Closed End
18	41707	41707	A/R	Connector - Closed End

NOTE: This reflector system has the lamp starter incorporated into the ballast.

# Vendo®

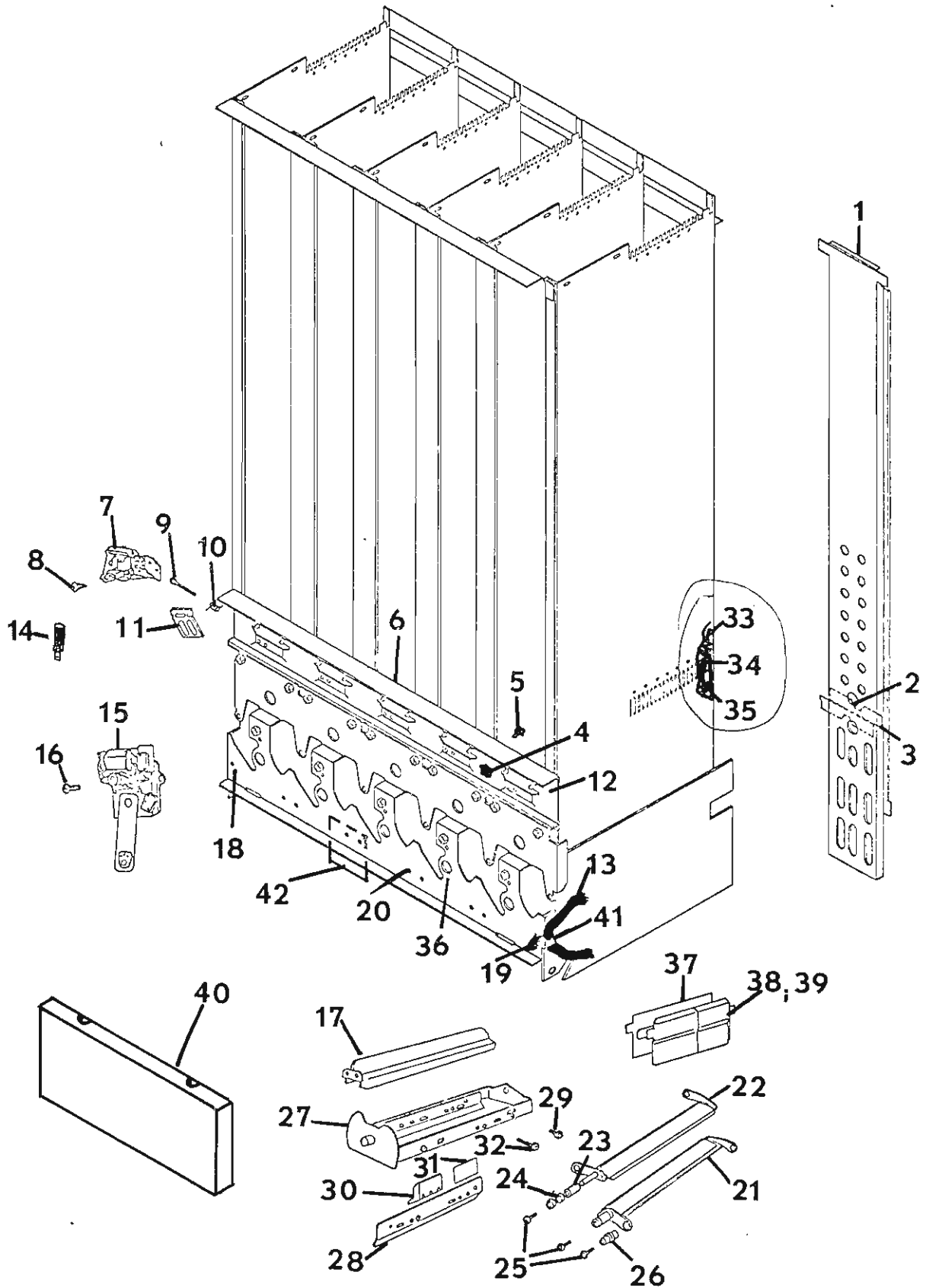
## STACK ASSEMBLY





STACK ASSEMBLY

ITEM NO.	118 PART NO.	183 PART NO.	NO. REQ.	PART NAME AND DESCRIPTION
-	131374-22	131374-16	1	Stack Final Ass'y.(Bottle)
-	131374-6	131374	1	Stack Final Ass'y.(Can-D.D. Bot.)
1	130868-3	130868-1	5	Backspacer Ass'y.
2	359367	359367	5	Latch Spring
3	370778	370778	10	Latch Slide
4	V800952	V800952	3	Hex Nut & Lock Washer
5	328761	328761	3	Tee Bolt
6	124263-17	124263-17	1	Sold Out Channel Ass'y.
7	124264	124264	5	Lock-Out Ass'y.
8	V800851	V800851	A/R	Tapping Screw
9	V801111	V801111	5	Cotter Pin
10	322981	322981	5	Spring
11	379312	379312	5	Lever - Sold-Out
12	370718-1	370718-1	2	Channel - Sold-Out
13	*131435	*131435	1	*Harness Ass'y.
14	371051	371051	5	Diode
15	131361	131361	5	Motor Ass'Y.
16	V800267	V800267	15	Screw
17	370500-1	370500-1	4	Product Retainer
18	370739-2	370739-2	1	Product Retainer (Left)
19	370739-3	370739-3	1	Product Retainer (Right)
20	V800639	V800639	11	Screw
-	123916-1	123916-1	5	Shelf Ass'y. (Left)
-	124255-1	124255-1	5	Shelf Ass'y. (Right)
21	123915	123915	5	Shelf Rivet Ass'y. (Left)
22	123915-1	123915-1	5	Shelf Rivet Ass'y. (Right)
23	370756	370756	10	Bearing (Needle)
24	370714	370714	10	Spacer
25	370780	370780	16	Screw (Washer Head)
26	336837	336837	6	Bushing
27	131359	131359	5	Bail (Rivet Ass'y.)
28	370736	370736	10	Spacer (Bottles)
29	372461	372461	20	Screw
30	376631-1	376631-1	10	Spacer (Cans)
31	372461-1	372461-1	10	Screw
32	370856	370856	10	Support (Side Spacer)
33	V800060	V800060	6	Screw
34	V800955	V800955	6	Nut & Lock Washer
35	131127-3	131127-2	1	Stack Weld Ass'y.
36	370927	370927	5	Bearing (Stacked In)
37	370864	370864	A/R	Spacer (Side Shim)
38	106284-1	106284-1	A/R	Form Spacer (Left)
39	106284-2	106284-2	A/R	Form Spacer (Right)
40	131151	131151	1	Shelf - (Left)
41	131151-1	131151-1	1	Shelf - (Right)
42	V800457	V800457	A/R	Screw
43	352837	352837	4	Nut (Tinnerman)
44	383393	383393	1	Shelf Retainer
45	383417	383417	1	Back Spacer Ext. (Center-Bot.)
46	383444	383444	4	Back Spacer Ext. (Bot. & Can)
47	383399	383399	1	Upper Guide (Can)
48	383441	383441	1	Shelf Spacer (Can)
49	383364	383364	1	Label (Can)
50	V800570	V800570	10	Screw
51	383415	383415	1	Retainer Left (All Bot.)
52	383416	383416	1	Retainer Right (All Bot.)
53	383443	383443	1	Shelf Spacer (Bot.)
54	V800952	V800952	4	Nut
55	384164	384164	1	Deflector (D.D. Bot.)
56	370782-1	370782-1	1	Mechanism Cover
57	324099-13	324099-13	1	Clamp (Harness)
58	384011	384011	5	Spacer (D.D. Bot.)
-	384173-A	384173-A	1	Decal - Mech. Cover
*	131535-1	131535-1	1	Harness Ass'y.-Single Sw. Mtr.



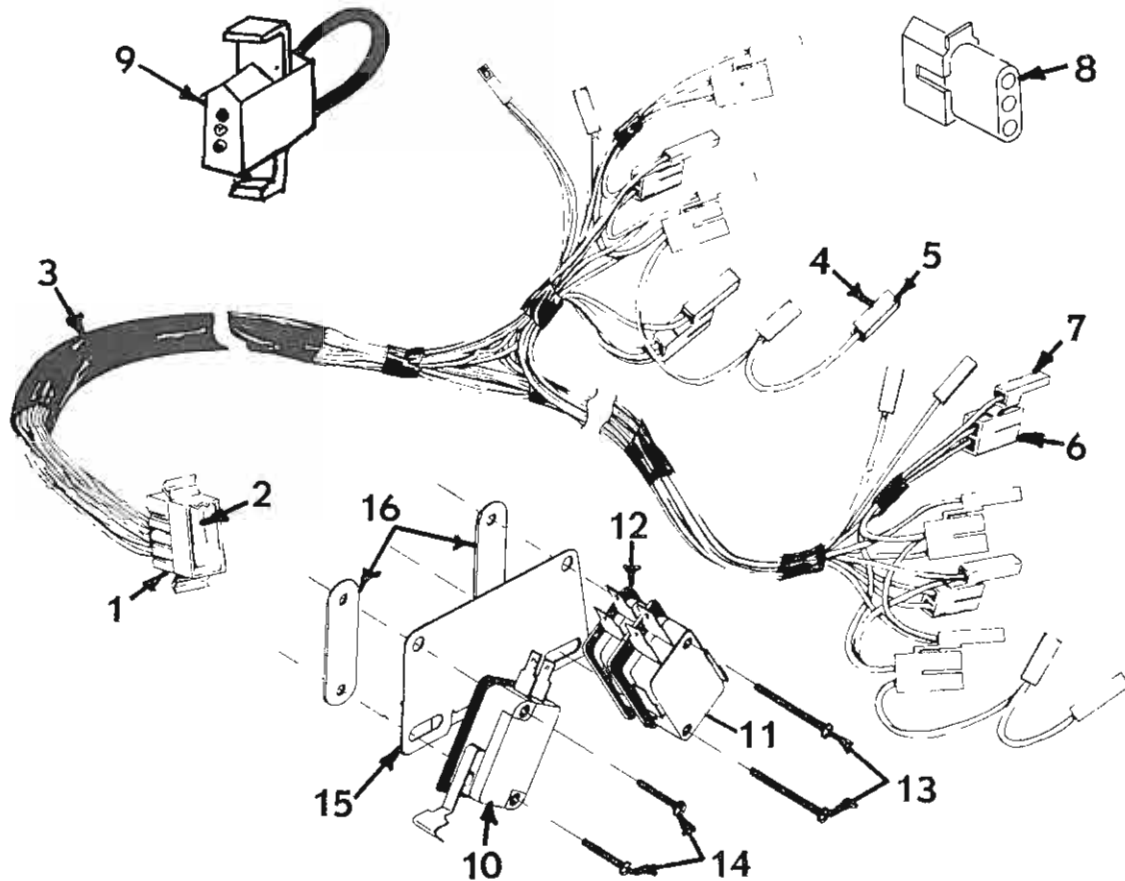




STACK ASSEMBLY

ITEM NO.	156 PART NO.	182 PART NO.	231 PART NO.	266 PART NO.	304 PART NO.	NO. REQ	PART NAME AND DESCRIPTION
-	131374-21	131374-20	131374-19	131374-18	131374-17	1	Stack Final Ass'y (Bottle)
-	131374-5	131374-4	131374-3	131374-2	131374-1	1	Stack Final Ass'y (Can-DD Bot)
1	130868	130868	130868-1	130868-2	130868-2	A/R	Back Spacer Ass'y
2	359367	359367	359367	359367	359367	A/R	Latch Spring
3	370778	370778	370778	370778	370778	A/R	Latch Slide
4	V800952	V800952	V800952	V800952	V800952	A/R	Hex Nut & Lock Washer
5	V328761	V328761	V328761	V328761	V328761	A/R	Tee Bolt
6	124263-18	124263-19	124263-19	124263-19	124263-20	1	Sold Out Channel Ass'y
7	124264	124264	124264	124264	124264	A/R	Lockout/Soldout Ass'y
8	V800851	V800851	V800851	V800851	V800851	A/R	Tapping Screw
9	V801111	V801111	V801111	V801111	V801111	A/R	Cotter Pin
10	322981	322981	322981	322981	322981	A/R	Spring
11	379312	379312	379312	379312	379312	A/R	Lever (Soldout)
12	370718-2	370718-3	370718-3	370718-3	370718-4	1	Channel (Soldout)
13	*131438	*131437	*131437	*131437	*131436	1	*Harness Ass'y
14	371051	371051	371051	371051	371051	A/R	Diode
15	131361	131361	131361	131361	131361	A/R	Motor Ass'y
16	V800267	V800267	V800267	V800267	V800267	A/R	Screw
17	370500-1	370500-1	370500-1	370500-1	370500-1	A/R	Product Retainer
18	370739-2	370739-2	370739-2	370739-2	370739-2	A/R	Product Retainer (Left)
19	370739-3	370739-3	370739-3	370739-3	370739-3	A/R	Product Retainer (Right)
20	V800639	V800639	V800639	V800639	V800639	A/R	Screw
-	123916-1	123916-1	123916-1	123916-1	123916-1	A/R	Shelf Ass'y (Left)
-	124255-1	124255-1	124255-1	124255-1	124255-1	A/R	Shelf Ass'y (Right)
21	123915	123915	123915	123915	123915	A/R	Shelf Rivet Ass'y (Left)
22	123915-1	123915-1	123915-1	123915-1	123915-1	A/R	Shelf Rivet Ass'y (Right)
23	370756	370756	370756	370756	370756	A/R	Bearing (Needle)
24	370714	370714	370714	370714	370714	A/R	Spacer
25	370780	370780	370780	370780	370780	A/R	Screw
26	336837	336837	336837	336837	336837	A/R	Bushing
27	131359	131359	131359	131359	131359	A/R	Bail (Rivet Ass'y)
28	370736	370736	370736	370736	370736	A/R	Spacer (Bottle)
29	372461	372461	372461	372461	372461	A/R	Screw
30	376631-1	376631-1	376631-1	376631-1	376631-1	A/R	Spacer (Can)
31	384011	384011	384011	384011	384011	A/R	Spacer (D.D. Bot)
32	372461-1	372461-1	372461-1	372461-1	372461-1	A/R	Screw
33	370856	370856	370856	370856	370856	A/R	Support Side
34	V800060	V800060	V800060	V800060	V800060	A/R	Screw
35	V800955	V800955	V800955	V800955	V800955	A/R	Nut & Lock Washer
-	130874-14	130874-15	130874-16	130874-13	130874-11	1	Stacked Weld Ass'y
36	370927	370927	370927	370927	370927	A/R	Bearing (Staked In)
37	370864	370864	370864	370864	370864	A/R	Spacer (Side Shim)
38	106284-1	106284-1	106284-1	106284-1	106284-1	A/R	Form Spacer Weld (Left)
39	106284-2	106284-2	106284-2	106284-2	106284-2	A/R	Form Spacer Weld (Right)
40	370782-2	382724	382724	382724	370782-7	1	Mechanism Cover
41	324099-13	324099-13	324099-13	324099-13	324099-13	1	Clamp (Harness)
42	384164	384164	384164	384164	384164	A/R	Deflector (D.D. Bot)
-	384173-5	384173-5	384173-5	384173-5	384173-7	1	Decal - Mech. Cover
*	131538-1	131537-1	131537-1	131537-1	131536-1	1	Harness Ass'y.-Single Sw. Mtr.

## VEND MECHANISM HARNESS ASSEMBLY – SEQUENCER ASSEMBLY

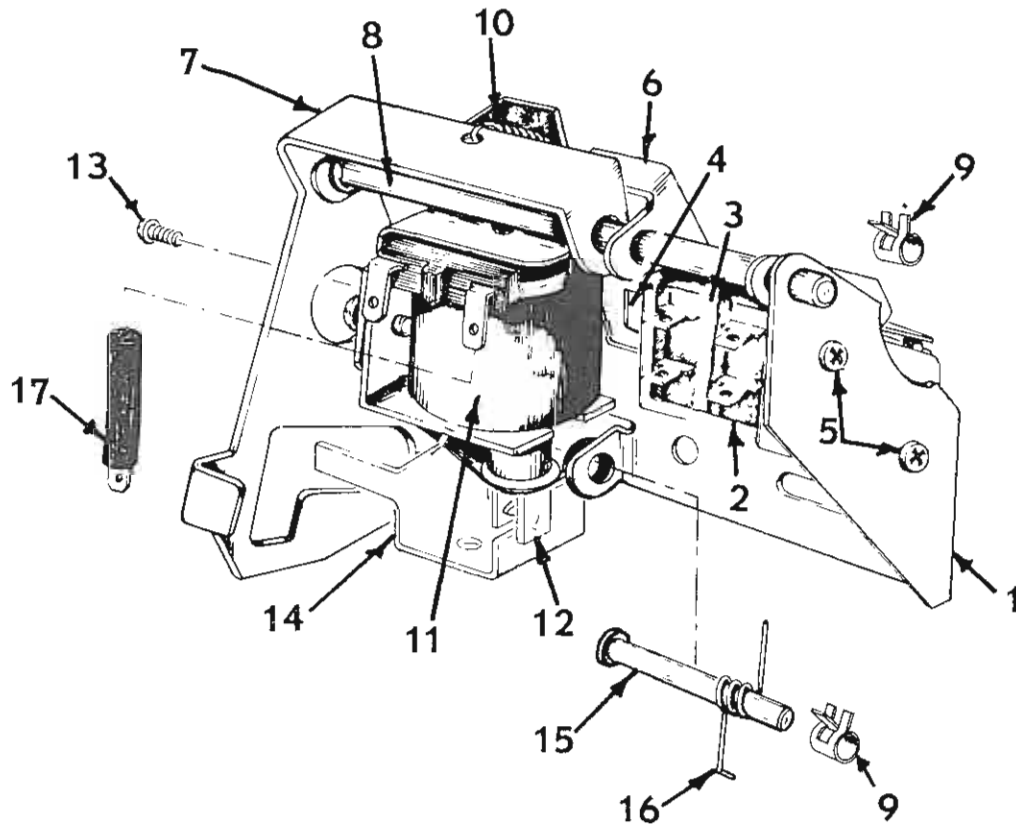


ITEM NO.	111-183 PART NO.	156 PART NO.	182-231 266 PART NO.	304 PART NO.	NO. REQ.	PART NAME AND DESCRIPTION
-	*131435	*131438	*131437	*131436	1	*Vend Mechanism Harness Assembly
1	345739	-	-	-	1	Plug - 12 Terminal
1	-	345006-1	345006-1	345006-1	1	Plug - 15 Terminal
2	320196	320196	320196	320196	A/R	Terminal - Male
3	V801165	V801165	V801166	V801166	A/R	Plastic Tubing (In Inches)
4	489202	489202	489202	489202	A/R	Cover - Terminal
5	336138	336138	336138	336138	A/R	Terminal
6	360805	360805	360805	360805	A/R	Terminal
7	360806	360806	360806	360806	A/R	Cover - Terminal (Triple)
8	-	-	345734-1	345734-1	1	Receptacle - 3 Terminal
-	-	-	320195	320195	3	Terminal - Female
9	-	-	131167	131167	1	Sequencer Jumper (*See Note)
-	-	-	131367	131367	1	Sequencer Assembly
10	-	-	337576	337576	1	Switch
11	-	-	351521	351521	1	Switch
12	-	-	340025	340025	3	Insulator - Switch
13	-	-	V800032	V800032	2	Machine Screw
14	-	-	V800027	V800027	2	Machine Screw
15	-	-	383910	383910	1	Bracket - Sequencer Assembly
16	-	-	337588-1	337588-1	2	Plate - Switch Screw
-	-	-	131166	131166	1	Harness Assembly - Sequencer (Not Shown)
*	131535-1	131538-1	131537-1	131536-1	1	Vend Mech Harness-Single Sw. Mtr. A/R - As Required

**NOTE:** This Jumper Assembly is Used Only When Sequencer Assembly is Not Used.

# Vendo®

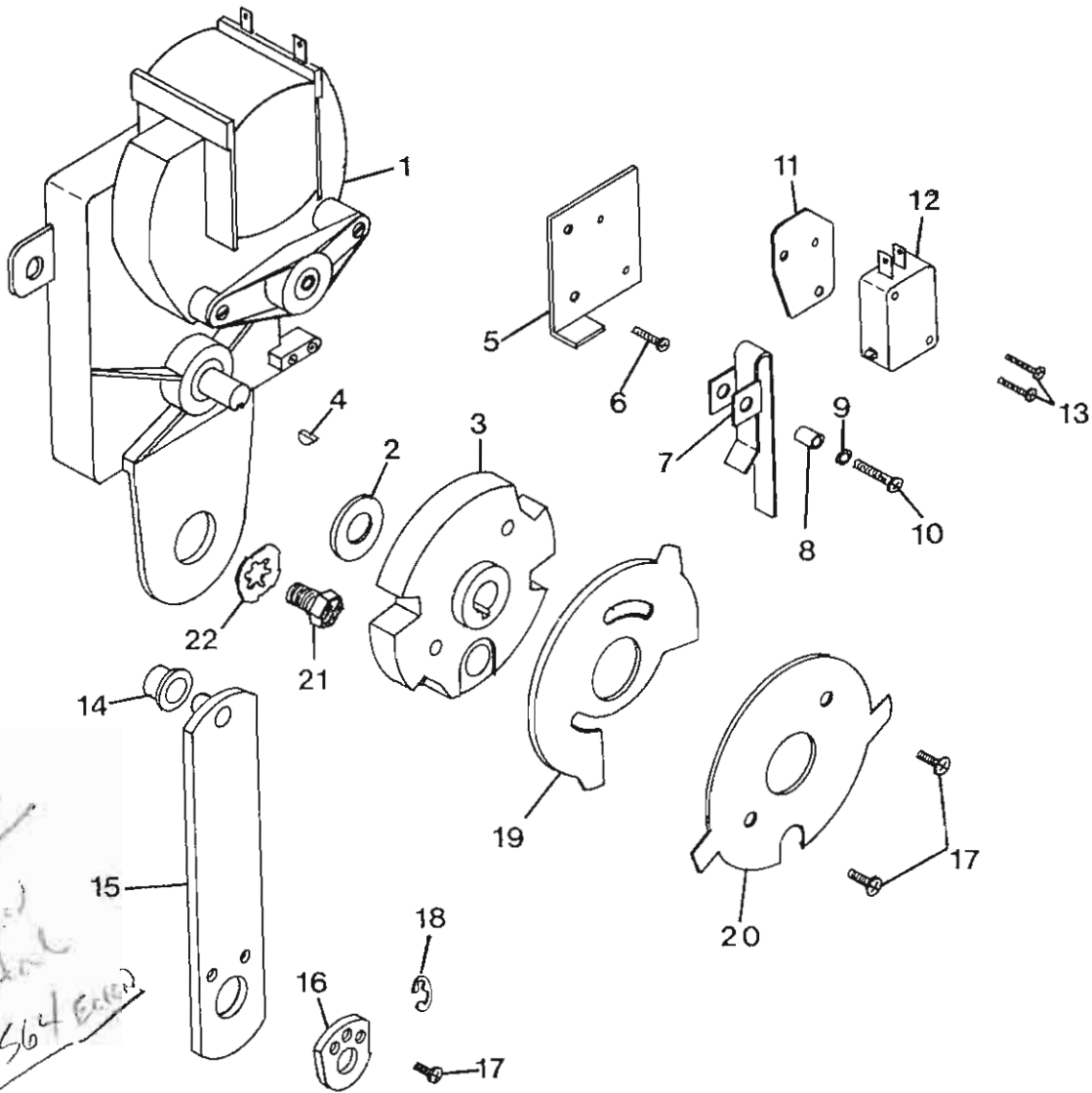
## LOCK OUT/SOLD OUT ASSEMBLY



ITEM NO.	PART NO.	NO. REQ.	PART NAME AND DESCRIPTION
-	124264	A/R	Lock Out/Sold Out Assembly
1	370719	1	Base - Lock Out
2	D10-8085	2	Switch
3	340025	2	Insulator - Switch
4	337588-1	1	Plate - Switch Screw
5	V800032	2	Machine Screw
6	370721	1	Actuator - Switch
7	370720	1	Latch - Lockout
8	370723	1	Pin - Latch
9	346822	2	Compression Clip
10	600656	1	Acceptor Latch Spring
11	371053	1	Solenoid
12	369199	1	Plunger - Solenoid
13	V800329	2	Machine Screw
14	370722	1	Link - Solenoid
15	370723-1	1	Pin - Latch
16	371678	1	Spring - Torsion
17	371051	A/R	Diode Module

# Vendo®

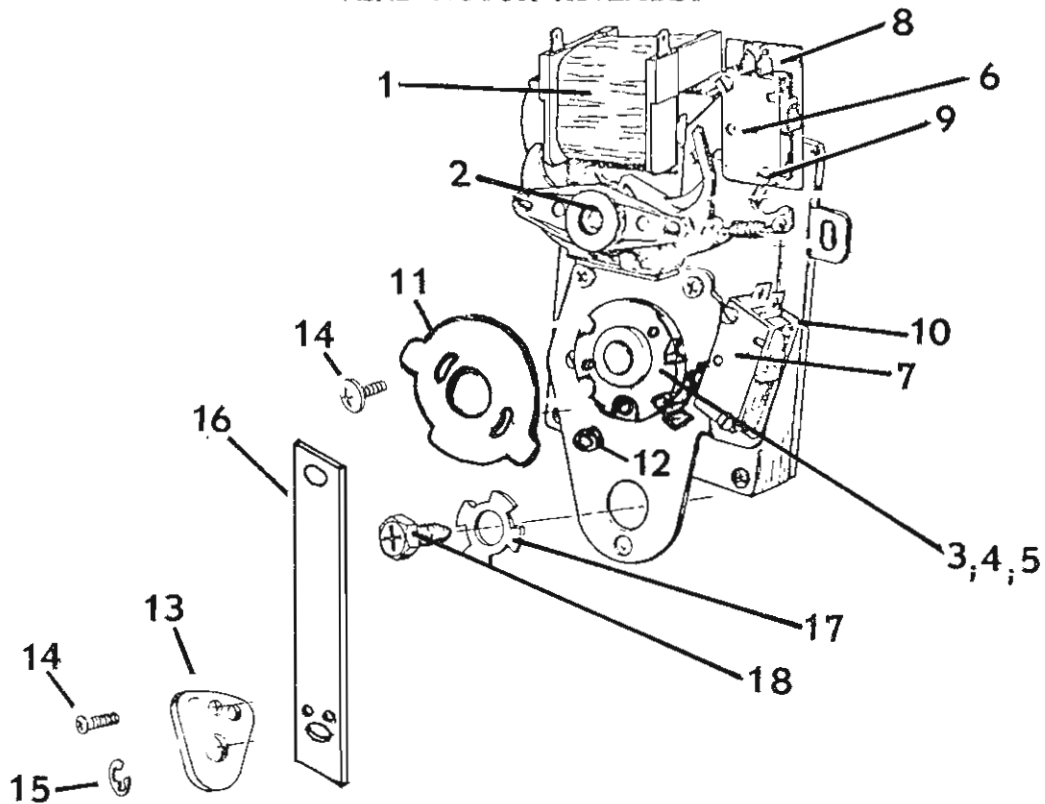
## SINGLE SWITCH MOTOR



*New Cam 388186 Replaced 22564 Eccen*

ITEM NO.	PART NO.	NO. REQ.	PART NAME AND DESCRIPTION
-	131543	1	Motor Assembly
-	131542	1	Motor & Hub Assembly
1	384177	1	Motor
2	383132	1	Spacer - Motor Hub
3	383738	1	Cam
4	V801147	1	Woodruff Key
5	384195	1	Mounting Plate-Switch
6	V801382	1	Tapping Screw
7	384193	1	Lever-Switch
8	384194	1	Spacer-Switch Lever
9	V801007	1	Plain Washer
10	V801395	1	Tapping Screw
11	340025	1	Insulator
12	368299	1	Switch
13	V800745	2	Tapping Screw
14	383983	1	Nylon Bushing
15	131362	1	Link Rivet Assembly
16	371544	1	Eccentric
17	V800762	3	Tapping Screw
18	V801080	1	Retainer
19	384192	1	Secondary Cam-Switch
20	384191	1	Main Cam-Switch
21	V800267	3	Screw
22	321289-2	1	Lock Washer

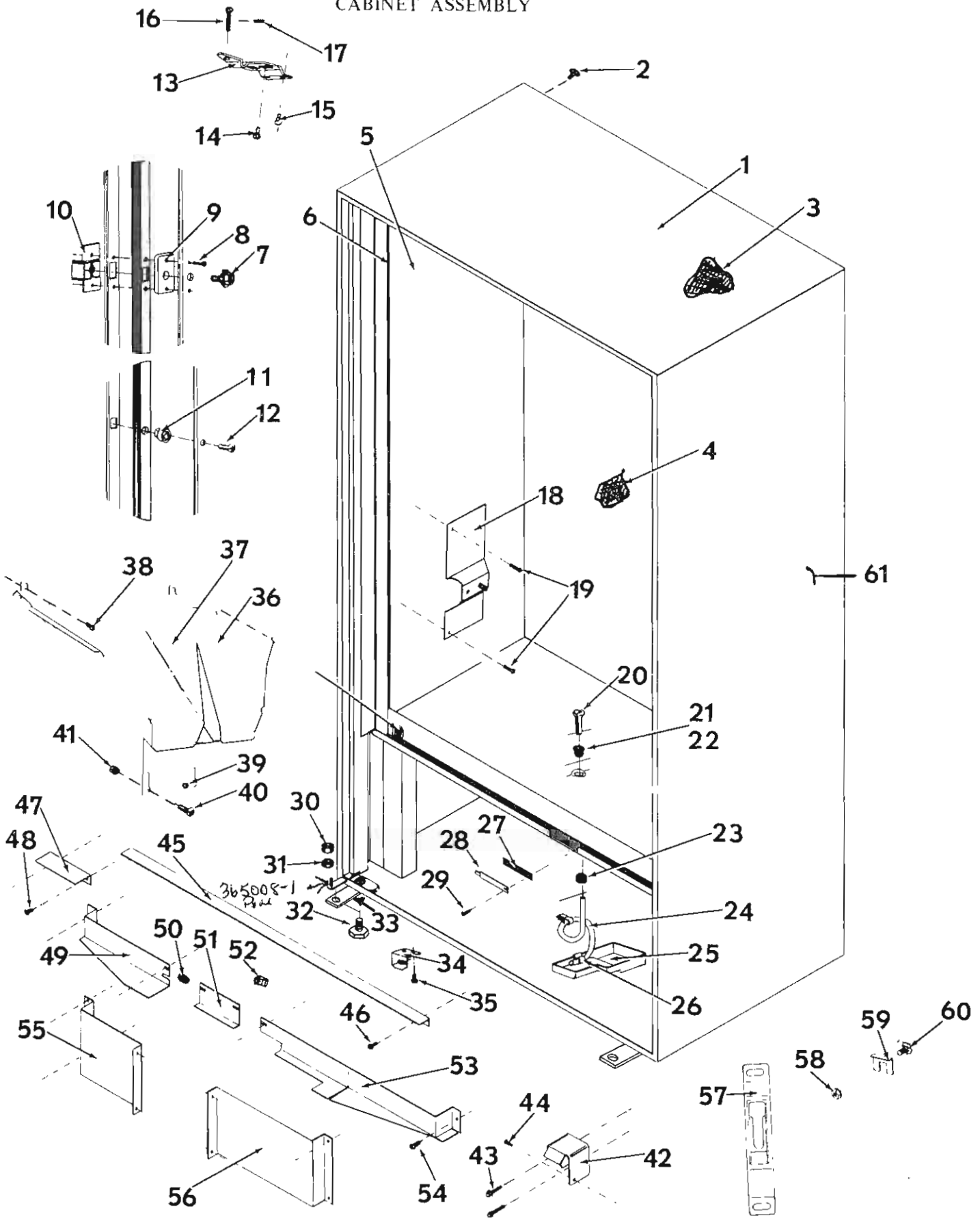
## VEND MOTOR ASSEMBLY



ITEM NO.	PART NO.	NO. REQ.	PART NAME AND DESCRIPTION
1	131361	1	Motor Assembly
-	131360	1	Motor & Hub Assembly
2	371062	1	Motor
3	383738	1	Cam (Secured with Loktite No. 601)
4	V801147	1	Woodruff Key
5	383732	1	Spacer
6	368299	1	Switch (Motor Start)
7	337576	1	Switch (Motor Carrier)
8	340025	2	Insulator (Switch)
9	V800746	4	Screw
10	377120	1	Bracket (Carrier SW Mount)
11	383831	1	Plate - Cam Cover
12	383983	1	Bushing
13	371544	1	Eccentric
14	V800762	3	Screw
15	V801080	1	Retainer
16	131362	1	Link
17	321289-2	1	Lock Washer
18	V800267	3	Screw

# Vendo®

## CABINET ASSEMBLY



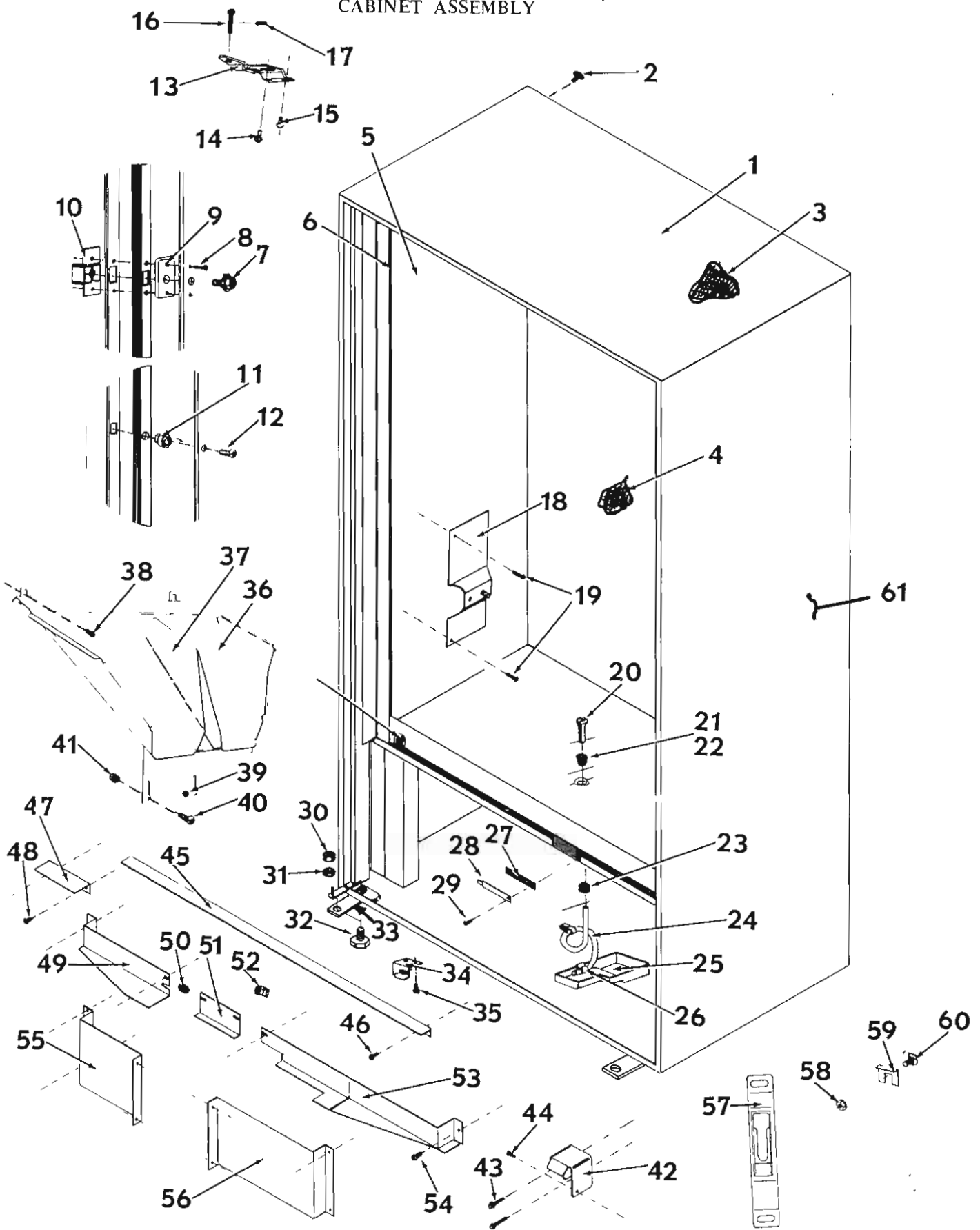


CABINET ASSEMBLY

ITEM NO.	118 PART NO.	156 PART NO.	182 PART NO.	NO. REQ.	PART NAME AND DESCRIPTION
1	128927-10	130120-6	130120-6	1	Cabinet Weld Assembly
2	380420	380420	380420	A/R	Plugs
3	380741-2	380741-12	380741-12	A/R	Cabinet Insulation
4	366186-2	380741-12	380741-12	A/R	Insulation for Back of Cabinet
5	130870-10	130925-4	130925-4	1	Liner Weld Assembly
6	377747	377747	377747	A/R	Gasket
7	322829	322829	322829	A/R	Hex Bolt & Lock Washer
8	V800514	V800514	V800514	A/R	Tapping Screw
9	369413	369413	369413	2	Spacer
10	332497	332497	332497	2	Nut Retainer
11	377746	377746	377746	A/R	Snap in Nut
12	V800876	V800876	V800876	A/R	Tapping Screw
13	365644-5	365644-5	365644-5	1	Upper Hinge
14	V342624	V342624	V342624	A/R	Soft Drill Screw
15	V800836	V800836	V800836	A/R	Tapping Screw
16	365453	365453	365453	1	Hinge Pin-Top
17	365454	365454	365454	1	Set Screw for Hinge Pin
18	130869-2	383019	383019	1	Mounting Plate for Left Side
-	130869-3	383019-1	383019-1	1	Mounting Plate for Right Side
19	V800265	V800401	V800401	A/R	Hex Head Machine Screw
20	333985	333985	333985	1	Drain Tube
21	333986	333986	333986	1	Grommet
22	46212	46212	46212	1	Clip - Tinnerman (Not Shown)
23	38132	38132	38132	1	Grommet for Drain Tube
24	340061	340061	340061	A/R	Drain Tubing
25	339840	339840	339840	1	Condensate Pan
26	321304	321304	321304	1	Clip
27	368441	368441	368441	1	Gasket
28	366092	366092	366092	1	Closure Cap
29	V800514	V800514	V800514	A/R	Tapping Screw
30	365822	365822	365822	1	Hinge Spacer
31	365822-1	365822-1	365822-1	1	Hinge Spacer
32	324386	324386	324386	A/R	Leveling Screw
33	-	377123	377123	1	Leveling Plate
34	344680	344680	344680	1	Bracket
35	V800819	V800819	V800819	A/R	Tapping Screw
36	131145	130931-5	130931-6	1	Chute Weld Assembly
37	-	336831	371529	1	Bottle Deflector
38	V800641	V800641	V800641	A/R	Tapping Screw
39	V342624	V342624	V342624	A/R	Self Drill Screw
40	V800641	V800641	V800641	A/R	Tapping Screw
41	V801415	V801415	V801415	A/R	Nut - Tinnerman
42	382956	382956	382956	1	Door Lift
43	V801343	V801343	V801343	A/R	Tapping Screw
44	V342624	V342624	V342624	A/R	Self Drill Screw
45	372371-3	372371-4	372371-4	1	Extension
46	V800533	V800552	V800552	A/R	Tapping Screw
47	353107	382847	382847	2	Angle Plenum
48	V800552	V800552	V800552	A/R	Tapping Screw
49	-	-	-	-	Extension - Evaporator, Left Side
50	43410	43410	43410	1	Grommet - Rubber
51	-	-	-	-	Air Baffle
52	914161	914161	914161	1	Clip
-	-	371546	371546	1	Cover Plate - Not Shown
53	-	-	-	-	Extension - Evaporator, Right Side
54	-	-	-	-	Tapping Screw
55	371548	371551	371551	1	Extension - Left Side
56	371549	371550	371550	1	Extension - Right Side
57	383220	383220	383220	1	Door Latch Strike
58	V800959	V800959	V800959	A/R	Hex Nut & Lock Washer
59	365567	365567	365567	1	Spacer - Top
-	365567-1	365567-1	365567-1	1	Spacer - Bottom
60	V801314	V801314	V801314	A/R	Carriage Bolt
-	372370	-	-	2	Vertical Angle Plenum (Not Shown)
61	383956-2	383956-3	383956-3	2	Decal - (Side)

# Vendo®

## CABINET ASSEMBLY





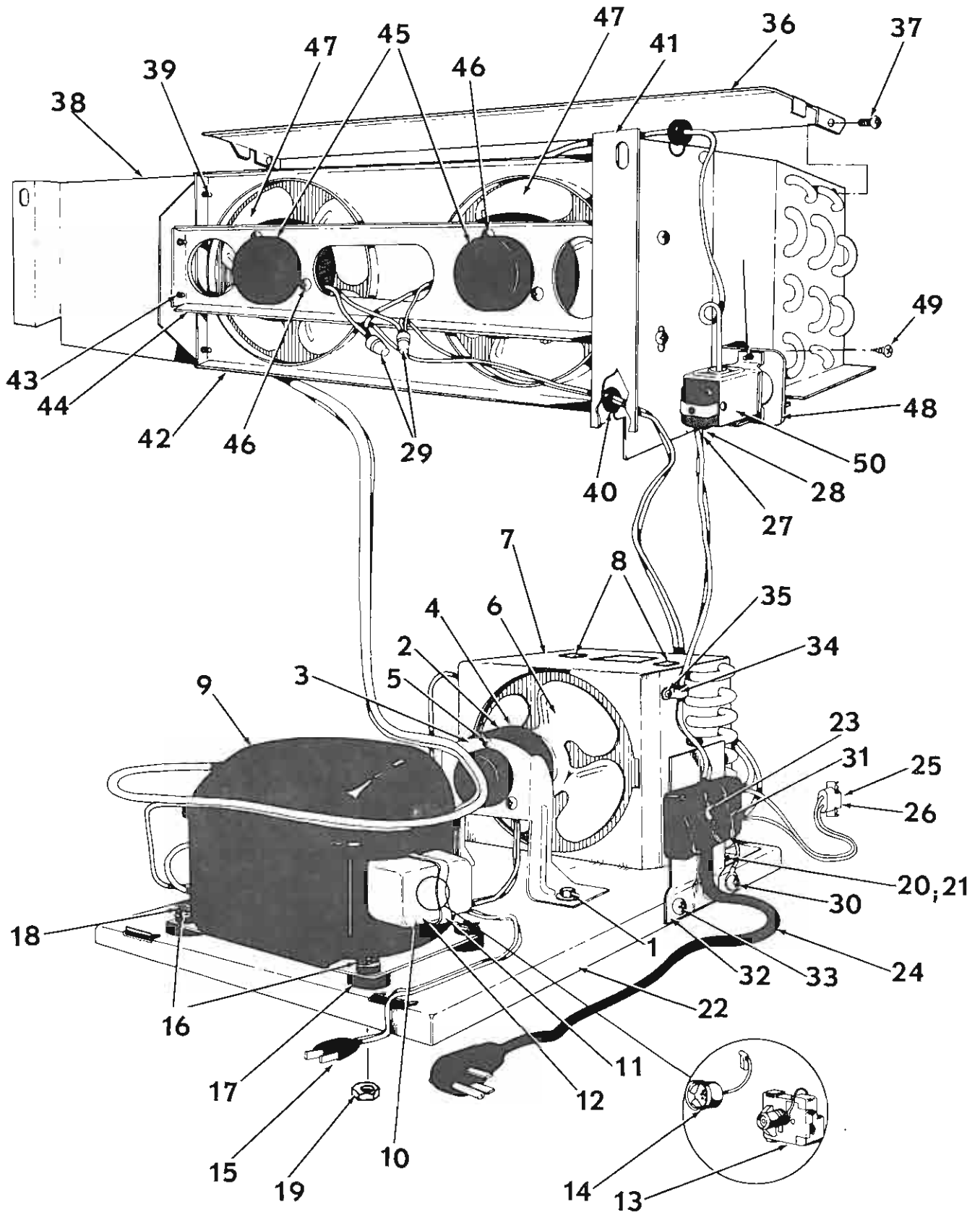


CABINET ASSEMBLY

ITEM NO.	183 PART NO.	231 PART NO.	266 PART NO.	304 PART NO.	NO. REQ.	PART NAME AND DESCRIPTION
1	131047-4	131121-5	130747-5	131245-5	1	Cabinet Weld Assembly
2	380420	380420	380420	380420	A/R	Plugs
3	380741-11	380741-13	380741-10	380741-7	A/R	Cabinet Insulation
4	366186-8	380741-13	380741-10	366186-6	A/R	Insulation for Back of Cabinet
5	130870-9	130925-5	130925-3	130870-7	1	Liner Weld Assembly
6	377747	377747	377747	377747	A/R	Gasket
7	322829	322829	322829	322829	A/R	Hex Bolt & Lock Washer
8	V800514	V800514	V800514	V800514	A/R	Tapping Screw
9	369413	369413	369413	369413	2	Spacer
10	332497	332497	332497	332497	2	Nut Retainer
11	377746	377746	377746	377746	A/R	Snap in Nut
12	V800876	V800876	V800876	V800876	A/R	Tapping Screw
13	365644-5	365644-5	365644-5	365644-5	1	Upper Hinge
14	V342624	V342624	V342624	V342624	A/R	Soft Drill Screw
15	V800836	V800836	V800836	V800836	A/R	Tapping Screw
16	365453	365453	365453	365453	1	Hinge Pin-Top
17	365454	365454	365454	365454	1	Set Screw for Hinge Pin
18	130869-2	383019	383019	130869	1	Mounting Plate for Left Side
-	130869-3	383019-1	383019-1	130869-1	1	Mounting Plate for Right Side
19	V800265	V800401	V800401	382740	A/R	Hex Head Machine Screw
20	333985	333985	333985	333985	1	Drain Tube
21	333986	333986	333986	333986	1	Grommet
22	46212	46212	46212	46212	1	Clip - Tinnerman (Not Shown)
23	38132	38132	38132	38132	1	Grommet for Drain Tube
24	340061	340061	340061	340061	A/R	Drain Tubing
25	339840	339840	339840	339840	1	Condensate Pan
26	321304	321304	321304	321304	1	Clip
27	368441	368441	368441	368441	1	Gasket
28	366092	366092	366092	366092	1	Closure Cap
29	V800514	V800514	V800514	V800514	A/R	Tapping Screw
30	365822	365822	365822	365822	1	Hinge Spacer
31	365822-1	365822-1	365822-1	365822-1	1	Hinge Spacer
32	324386	324386	324386	324386	A/R	Leveling Screw
33	-	377123	377123	377123	1	Leveling Plate
34	344680	344680	344680	-	1	Bracket
35	V800819	V800819	V800819	-	A/R	Tapping Screw
36	131145	130931-5	130931-6	130931-7	1	Chute weld Assembly
37	-	336831	371529	338982	1	Bottle Deflector
38	V800641	V800641	V800641	V800641	A/R	Tapping Screw
39	V342624	V342624	V342624	V342624	A/R	Self Drill Screw
40	V800641	V800641	V800641	V800641	A/R	Tapping Screw
41	V801415	V801415	V801415	V801415	A/R	Nut - Tinnerman
42	382956	382956	382956	382956	1	Door Lift
43	V801343	V801343	V801343	V801343	A/R	Tapping Screw
44	V342624	V342624	V342624	V342624	A/R	Self Drill Screw
45	372371-3	372371-4	372371-4	344946-2	1	Extension
46	V800533	V800552	V800552	V800533	A/R	Tapping Screw
47	353107	382847	382847	353107	2	Angle Plenum
48	V800552	V800552	V800552	V800552	A/R	Tapping Screw
49	-	-	-	371824	1	Extension - Evaporator, Left Side
50	43410	43410	43410	43410	1	Grommet - Rubber
51	-	-	-	345064-1	1	Air Baffle
52	914161	914161	914161	914161	1	Clip
-	-	371546	371546	-	1	Cover Plate - Not Shown
53	-	-	-	344961-1	1	Extension - Evaporator, Right Side
54	-	-	-	V800552	1	Tapping Screw
55	371548	371551	371551	328574	1	Extension - Left Side
56	371549	371550	371550	371825	1	Extension - Right Side
57	383220	383220	383220	383220	1	Door Latch Strike
58	V800959	V800959	V800959	V800959	A/R	Hex Nut & Lock Washer
59	365567	365567	365567	365567	1	Spacer - Top
-	365567-1	365567-1	365567-1	365567-1	1	Spacer - Bottom
60	V801314	V801314	V801314	V801314	A/R	Carriage Bolt
-	372370	-	-	-	2	Vertical Angle Plenum (Not Shown)
61	383956-1	383956-4	383956	383956	2	Decal - (Side)

# Vendo®

## REFRIGERATION ASSEMBLY





REFRIGERATION ASSEMBLY

ITEM NO.	183/118 156** PART NO.	266/231 182/156 PART NO.	304 PART NO.	NO. REQ.	PART NAME AND DESCRIPTION
-	114001	116504	116157	1	Refrigeration Assembly (Replacement Assembly)
1	V800836	V800836	V800836	2	Tapping Screw (AP for Item 2)
2	118887-2	118887-3	118887-4	1	Condenser - Fan Assembly
3	358154-1	358154-1	358154-1	1	Bracket - Motor Mounting
4	42321-35	42321-36	42321-29	1	Motor - Condenser - Fan
5	V800371	V800371	V800371	4	Machine Screw & Lock Washer (AP for Items 3 & 4)
6	42329	42329	42329	1	Blade - Condenser Fan
-	V42323	V42323	V42323	1	Speed Nut (AP for Item 6)
7	343871	351172	329126	1	Shroud (Top)
8	336640	336640	-	2	Clip - Retainer (AP for Item 7)
-	V800499	-	-	A/R	Tapping Screw (AP for Item 7)
9	343852-900	350988-900	350485-900	1	Compressor *Part of the Sealed Refrigeration System
10	344308	344308	344298	1	Cover - Terminal
11	344306	344306	344286	1	Bale Strap (AP for Item 10)
12	344305	344305	344285	1	Overload Tension Spring (Not Shown)
13	333894-6	333894-15	344292-3	1	Relay - Starting
14	45052-12	45052-27	45052-25	1	Protector - Overload
15	344105	344105	344297	1	Compressor Cord
16	343874	343874	-	A/R	Spring Clip
16	-	-	V800948	4	Hex Nut & Lock Washer
17	323090-1	323090-1	323090	4	Grommet - Rubber
18	343872	343872	343873	A/R	Compressor Mounting Studs (AP for Compressor)
19	V800949	V800949	V800949	A/R	Hex Nut & Lock Washer
20	V800267	V800267	V800234	A/R	Machine Screws
21	916923	916923	-	2	Double Speed Nuts
21	-	-	V800947	2	Hex Nut & Lock Washer
22	343839	343839	343839	1	Base - Refrigeration
23	V800512	V800512	V800512	1	Tapping Screw (AP for Item 24)
24	363670-1	363670-1	363670	1	Service Cord Assembly
25	345008	345008	345008	1	Receptacle - 2 Terminal
26	320195	320195	320195	2	Terminals - female
27	44617	44617	44617	2	Terminals - Female
28	341203	341203	341203	2	Covers - Terminal
29	-	-	44485	2	Wire Connector (Closed End)
30	V800664	V800664	V800664	1	Tapping Screw (AP for Ground Wire)
31	V800892	V800892	V800892	2	Machine Screw Nuts (AP for Wiring Inside)
32	334052-1	334052-1	334052-1	1	Bracket - Service Cord
33	V800664	V800664	V800664	2	Tapping Screw (AP for Item 32)
34	342099-6	342099-6	342099-4	1	Harness Clamp
35	V800539	V800539	V800539	A/R	Tapping Screw (AP for Item 34)
36	321716	321716	328577	1	Extension - Evaporator (Top)
37	V800539	V800539	V800539	A/R	Tapping Screws (AP for Item 36)
38	359175	371551	328574	1	Extension - Evaporator (Right)
39	V800539	V800539	V800539	A/R	Tapping Screws (AP for Item 38)
40	332531-7	332531-7	-	1	Bushing - Snap On
41	359174	371550	371825	1	Extension - Evaporator (Left)
42	320236	320236	328576	1	Orifice - Evaporator Fan
43	V800503	V800503	V800503	4	Tapping Screw (AP for Item 42)
44	320266	320266-1	328578	1	Bracket - Evaporator Motor
-	V800503	V800503	V800503	A/R	Tapping Screw (AP for Item 44)
45	42321-12	42321-13	42321-17	A/R	Motor - Evaporator Fan
46	V800371	V800371	V800371	A/R	Machine Screw & Lock Washer (AP for Item 45)
47	44190	323069	328579	A/R	Fan Blade
-	V42323	V42323	V42323	A/R	Speed Nut - Fan Blade (AP for Item 47)
48	42127	42127	42127	1	Bracket - Control
49	V800539	V800539	V800539	2	Tapping Screw (AP for Item 48)
50	368794	368794	368794	1	Temperature Control
51	V800354	V800354	V800354	2	Machine Screw & Lock Washer (AP for Item 50)
-	-	-	344744	1	Capacitor (Not Shown)
-	-	-	114123	1	Harness - Overload (Not Shown) (AP - Attaching Part)

\*Shipped With Oil and Electrical Components

\*\*If Your Unit is V45 - Use 114001 Column

If Your Unit is V53 - Use 116504 Column



FLAVOR STRIPS

384013	COKE	384013 - 8	FANTA GRAPE
384013 - 1	FRESCA	384013 - 9	FANTA ORANGE
384013 - 2	MELLO YELLO	384013 - 10	FANTA ROOT BEER
384013 - 3	SPRITE	384171 - 19	LEMON-LIME
384013 - 4	SUGAR FREE SPRITE	384171 - 20	GINGER ALE
384013 - 5	TAB	384171 - 21	CHERRY
384013 - 6	MR. PIBB	384171 - 22	STRAWBERRY
384013 - 7	SUGAR FREE MR. PIBB		

PRICE LABELS

384039	30¢
384039 - 1	35¢
384039 - 2	40¢
384039 - 3	45¢
384039 - 4	50¢
384039 - 5	60¢
384039 - 6	55¢
384039 - 8	65¢
384039 - 7	70¢
384039 - 9	75¢

CONVERSION KITS

To Convert from Cans to Single Depth Bottles

106916-16	276/156, 348/198, 396/228	6 Column
106916-17	214/111, 324/183, 220/125	5 Column
106916-18	528/304	8 Column
106916-28	322/182, 406/231, 462/266	7 Column

To Convert from Bottles to 12 oz. Cans

106916-19	276/156, 348/198, 396/228	6 Column
106916-20	214/111, 324/183, 220/125	5 Column
106916-21	528/304	8 Column
106916-29	322/182, 406/231, 462/266	7 Column